



Gram exhaust channel system intended for linear extraction with suspended hoses/extraction arms or suction hood.

- Mounted in ceiling or from the wall
- Standard length: 4-30m incl. rubber lips that easily are mounted without the use of special tool or substantial force
- Standard console for Gram extraction arms 2-4m,  $\varnothing$ 160mm
- Pipe connection at the end or in the top of exhaust channel
- Wide range of standard suspension
- All fittings are easily mounted in profile complete track
- Light and torsion stabile solution
- Complete program for special solutions for fire vehicles and trains

The system is easily combined with extraction arm/suspended hoses and optional nozzles (pneumatic or mechanical).





Standard solutions for fire and rescue ventilation installations as e.g.:

- Travelling hose carriage with magnetic coupling and uncoupling.
- Travelling hose carriage with pneumatic nozzle.
- Traveling suction hood for vehicles with top exhaust. Installation is self-centering, sideways sliding and advancing.
- Fixed hose from ceiling or floor with mechanical uncoupling.



Pneumatic nozzle with suspended hose.



Sideways sliding extraction hood for top exhaust.



Magnetic-connected exhaust nozzle in suspended hose.


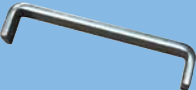
***Solutions for automatic return are also available.***

***Above solution is always offered for the specific task in question - contact therefore the sales department at V. Aa. Gram A/S!***

Photo	Description	Item no.
 <p><b>SSK 150</b></p>	Exhaust channel type SSK 150 - incl. coupling and mounting set - excl. hose carriage, suspension and end cover	
	SSK 150 length 4m	08 590 000
	SSK 150 length 6m	08 590 100
	SSK 150 length 8m	08 590 105
	SSK 150 length 10m	08 590 110
	SSK 150 length 12m	08 590 115
	SSK 150 length 14m	08 590 120
	SSK 150 length 16m	08 590 125
	SSK 150 length 18m	08 590 130
	SSK 150 length 20m	08 590 135
	SSK 150 length 22m	08 590 140
	SSK 150 length 24m	08 590 145
	SSK 150 length 26m	08 590 150
	SSK 150 length 28m	08 590 155
SSK 150 length 30m	08 590 160	
	End cover for SSK 150 incl. rubber stop	08 591 000
	Extraction piece end for SSK 150 incl. rubber stop - ø160mm	08 592 000
 <p><b>SSK 290</b></p>	Exhaust channel type SSK 150 - incl. coupling and mounting set - excl. hose carriage, suspension and end cover	
	SSK 290 length 4m	08 590 200
	SSK 290 length 6m	08 590 300
	SSK 290 length 8m	08 590 305
	SSK 290 length 10m	08 590 310
	SSK 290 length 12m	08 590 315
	SSK 290 length 14m	08 590 320
	SSK 290 length 16m	08 590 325
	SSK 290 length 18m	08 590 330
	SSK 290 length 20m	08 590 335
	SSK 290 length 22m	08 590 340
	SSK 290 length 24m	08 590 345
	SSK 290 length 26m	08 590 350
	SSK 290 length 28m	08 590 355
SSK 290 length 30m	08 590 360	
	End cover for SSK 290 incl. rubber stop	08 591 100

Data is subject to alterations  
Rev. 01.21





Photo	Description	Item no.
	Extraction piece end for SSK 290 incl. rubber stop	08 592 100
	Reinforcement brace for SSK 290 - for torsion stabilization in connection with extraction arms  - 1 psc. per metre	08 593 300

## Further equipment:

Photo	Description	Item no.
	Extraction piece straight for SSK 150 and 290	
	Connection ø160mm	08 594 000
	Connection ø200mm	08 594 100
	Connection ø250mm	08 594 200
	Hose carriage for SSK 150 and 290 (small version) - connection: ø160mm	08 595 000
	Uni-holder	08 593 400
	Reduction for hose carriage for SSK 150 and 260 - can only be used on item no. 08 595 000	
	ø75mm	08 596 000
	ø100mm	08 596 100
	ø125mm	08 596 200
	ø150mm	08 596 300
	Hose carriage for SSK 150 and 290 (large version) - Flange ø200mm  - can be used in connection with suspension of extraction arms	08 595 100
	Flange with connection ø200mm for hose carriage for SSK 290 - can only be used on item no. 08 595 100	01 445 100
	Console with flange for exhaust channel hose carriage for type SSK 290 for suspension of Gram extraction arms type RGF, RFF and TGI - can only be used on item no. 08 595 100	
	ø160mm	01 445 000
	ø200mm	01 445 050
	Reduktion for SSK 290 - can only be used on item no. 08 595 100	
	ø200mm -ø150mm nipple with bulb	08 596 500
	ø200mm -ø125mm nipple with bulb	08 596 600

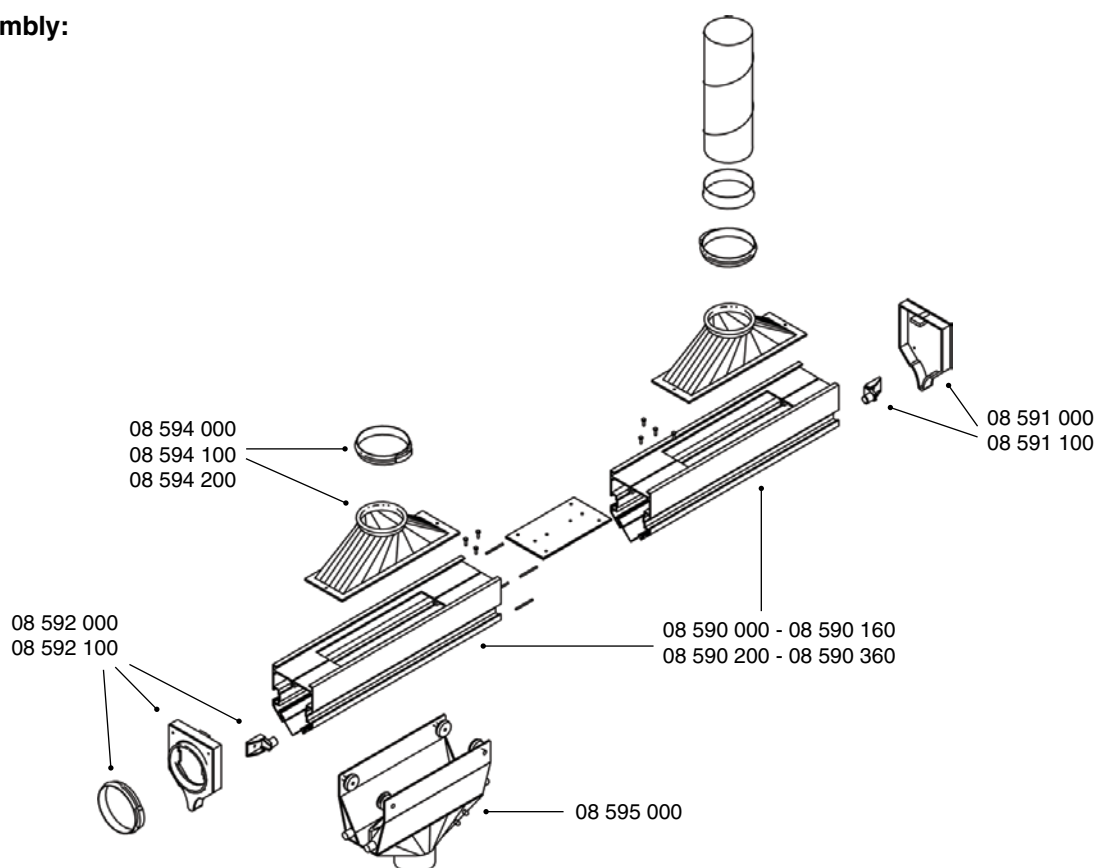
Rev. 01.21 Data is subject to alterations

## Suspension system for SSK:

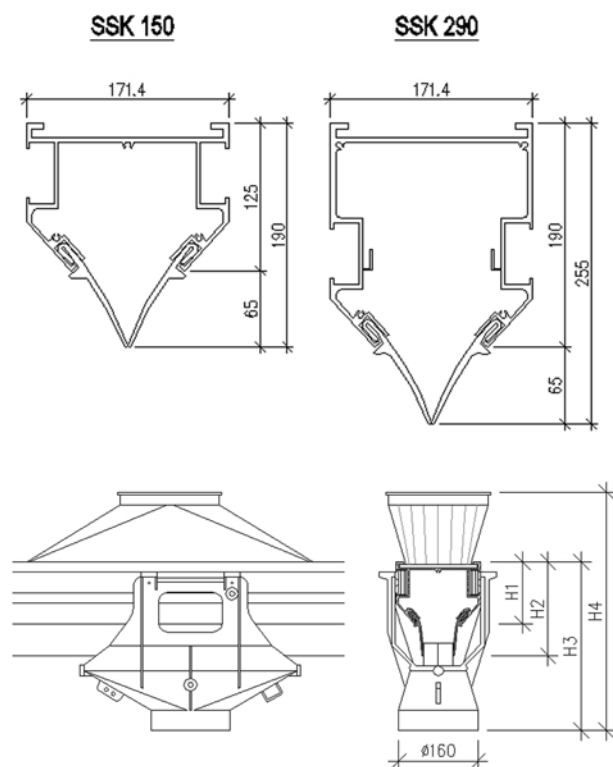
Photo	Description	Item no.	
	Channel suspension system for wall type WK - delivered incl. wall bracket and channel fittings and leveling suspension in galvanized steel  <u>Number at mounting:</u> At hose carriage with suspended hose at least 2 pcs. channel suspensions per single channel length (single channel length max. 6m) At hose carriage with mounted extraction arm 1 pc. per 1.5m per channel		
		Length 500mm	08 598 000
		Length 700mm	08 598 025
		Length 1000mm	08 598 050
	Channel suspension system for ceiling type QR - delivered incl. ceiling bracket and channel fittings and as well as square pipe made in galvanized steel  <u>Number at mounting:</u> At hose carriage with suspended hose at least 2 pcs. channel suspensions per single channel length (single channel length max. 6m) At hose carriage with mounted extraction arm 1 pc. per 1.5m per channel		
		Suspension length 1000mm	08 598 200
		Suspension length 2000mm	08 598 225
		Suspension length 3000mm	08 598 250

**Complete solutions with automatic disconnection, return movement and pneumatic solutions are available on request.**

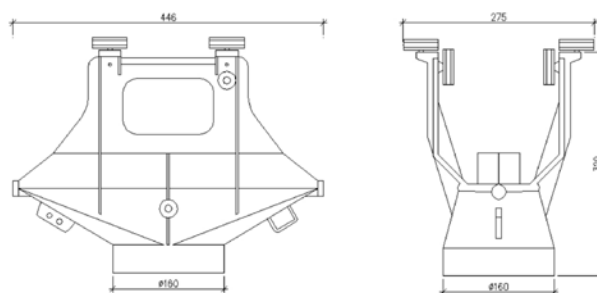
## Assembly:



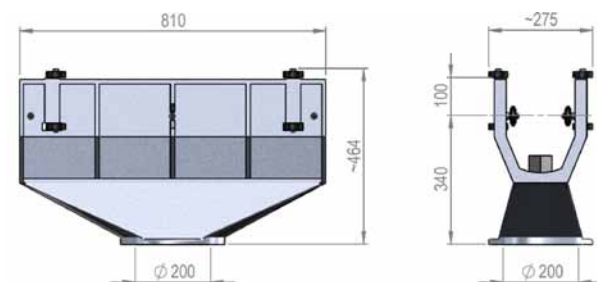
## Exhaust channel:



## Hose carriage (08 595 000):



## Hose carriage (08 595 100):



SSK type	150	290
H <sub>1</sub>	125	190
H <sub>2</sub>	190	255
H <sub>3</sub>	345	410
H <sub>4</sub>	490	555

H<sub>1</sub>: Height exhaust channel type SSK

H<sub>2</sub>: Height exhaust channel + rubber lips

H<sub>3</sub>: Height top edge of SSK to bottom edge of hose carriage

H<sub>4</sub>: Height top edge of connection straight to bottom edge of hose carriage

## Safety coupling type SKB for application at vehicles:

- For low vacuum (max. 1,500Pa)
- Consisting of male and female components made in cast rubber/steel
- Disconnection occurs at straight pull of min. 60kg dependent on temperature
- Max. temperature: 0-150°C
- Delivered incl. NPU-nipples  $\varnothing$ 100mm

Type	Item no.	Diameter [mm]
SKB	08 599 000	$\varnothing$ 100
SKB	08 599 100	$\varnothing$ 150