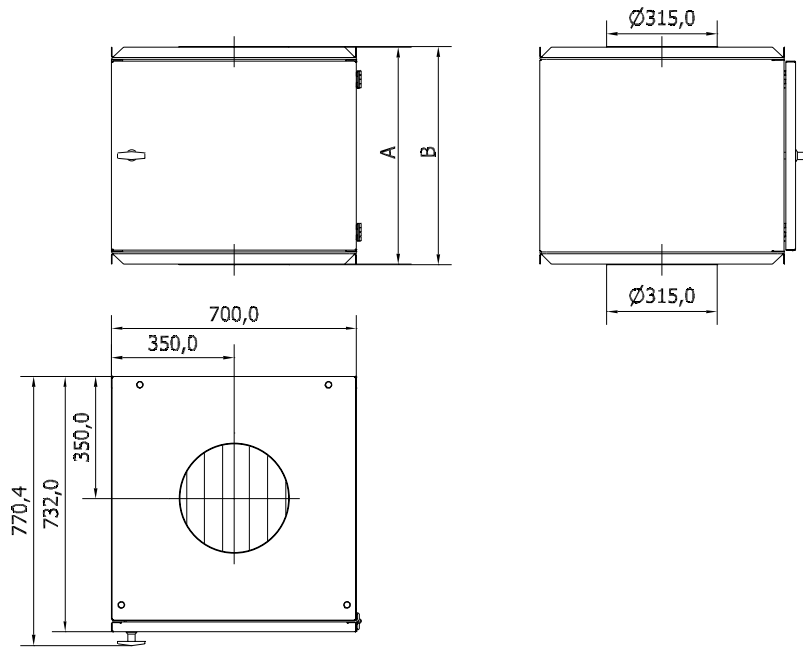


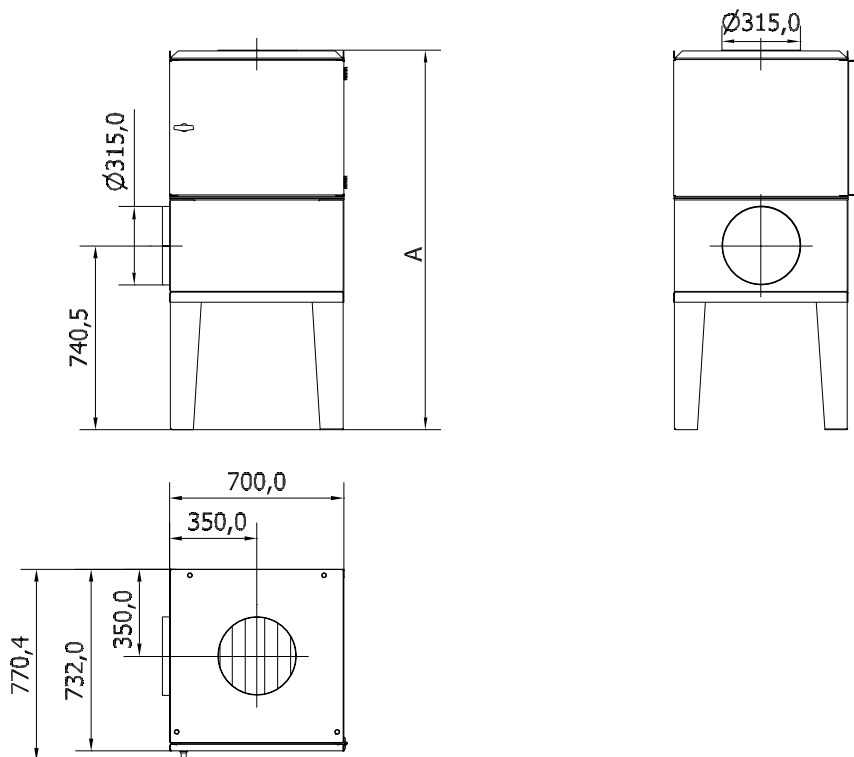
CABINETS DISPOSABLE FILTERS Ex II 2DG TYPE KF-A/AF-A/AFK-A

Cabinet for compact filter type KF-A1 (excl. filter) with connection in through bottom and out of top:



Type	Order no. Without Minihelic- differential pressure manometer	Order no. With Minihelic- differential pressure manometer	A	B
KF-A 1M7	10 453 000	10 453 200	622	625

Cabinet for compact filter type KF-A1 (excl. filter) on legs with connection in through side and out of top:

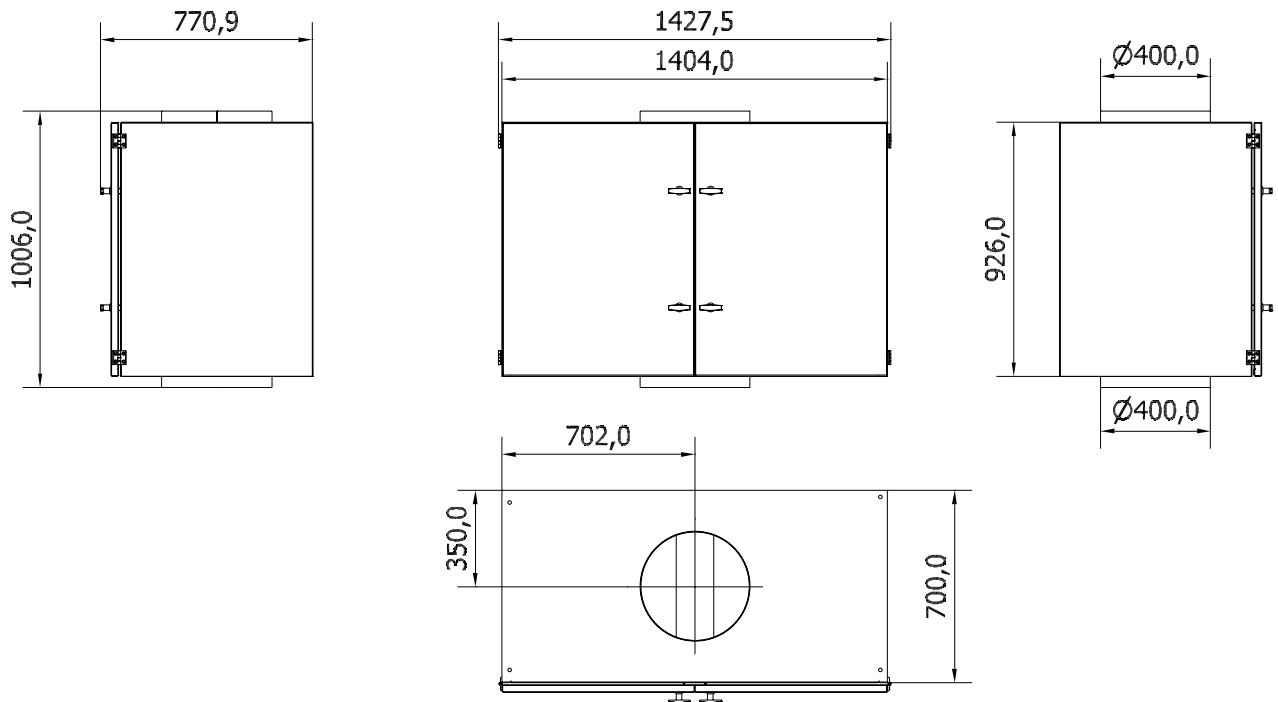


Type	Order no. Without Minihelic- differential pressure manometer	Order no. With Minihelic- differential pressure manometer	A
KF-A 1M7	10 453 100	10 453 300	1528

Rev. 12: 16 Data is subject to alterations

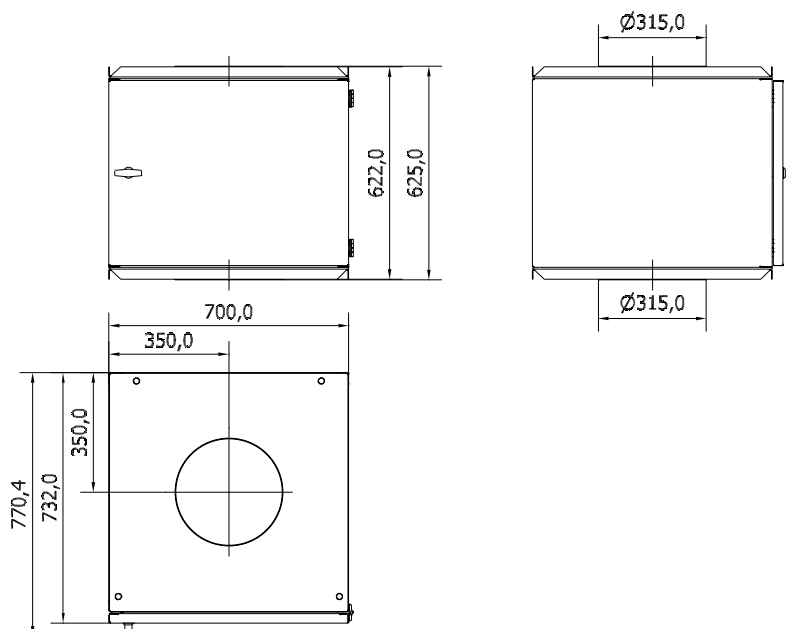
CABINETS DISPOSABLE FILTERS Ex II 2DG TYPE KF-A/AF-A/AFK-A

Cabinet for compact filter type KF-A2 (excl. filters) with connection in through bottom and out of top:



Type	Order no. Without Minihelic- differential pressure manometer
KF-A 2	10 453 600

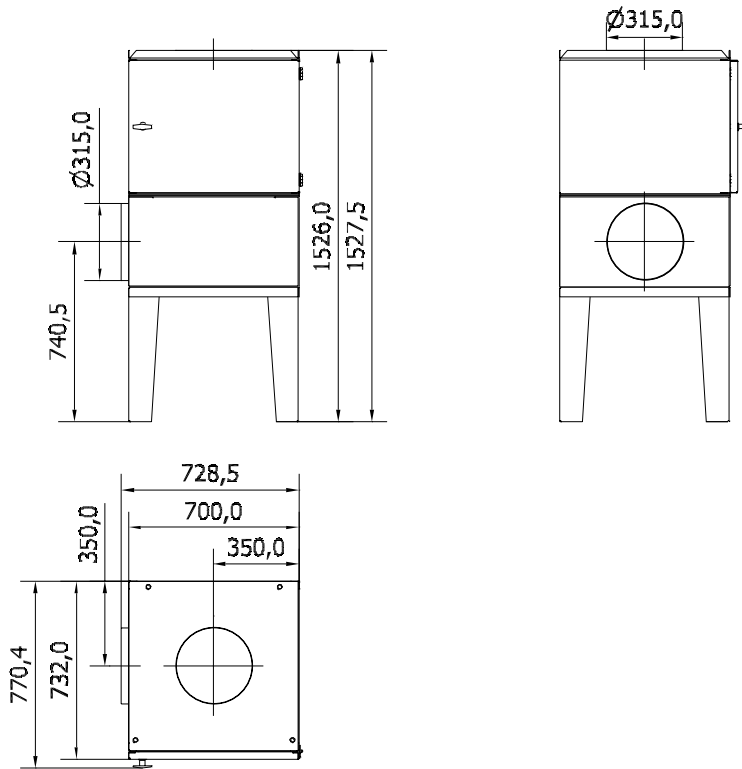
Cabinet for compact filter type AF-A1 (excl. filters) with connection in through bottom and out of top:



Type	Order no. Without Minihelic- differential pressure manometer	Order no. With Minihelic- differential pressure manometer
AF-A 1M7	10 454 000	10 454 200

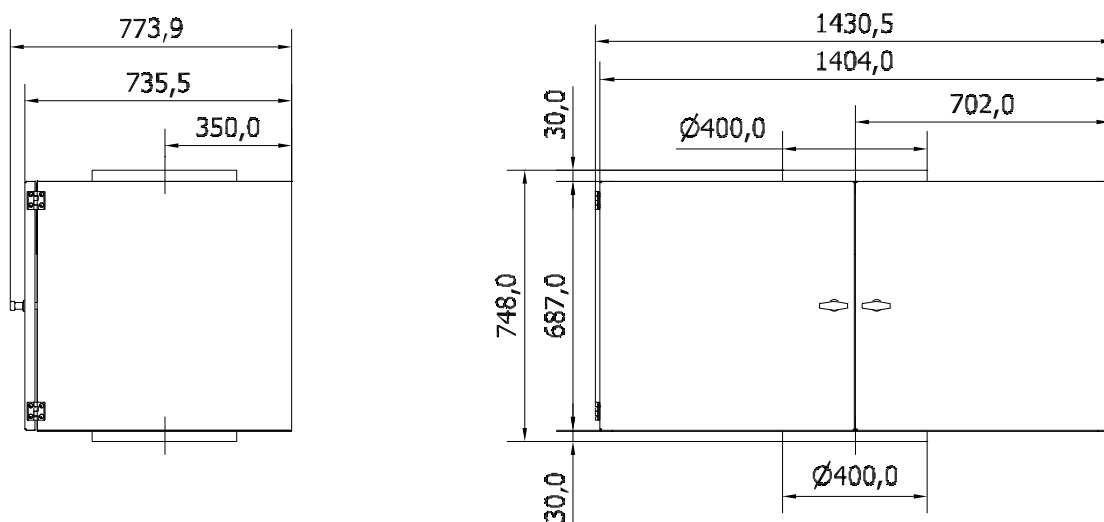
CABINETS DISPOSABLE FILTERS Ex II 2DG TYPE KF-A/AF-A/AFK-A

Cabinet for absolute filter type AF-A1 (excl. filter) on legs with connection in through side and out of top:



Type	Order no. Without Minihelic- differential pressure manometer	Order no. With Minihelic- differential pressure manometer
AF-A 1M7	10 454 100	10 454 300

Cabinet for absolute filter type AF-A2 (excl. filters) with connection in through bottom and out of top:

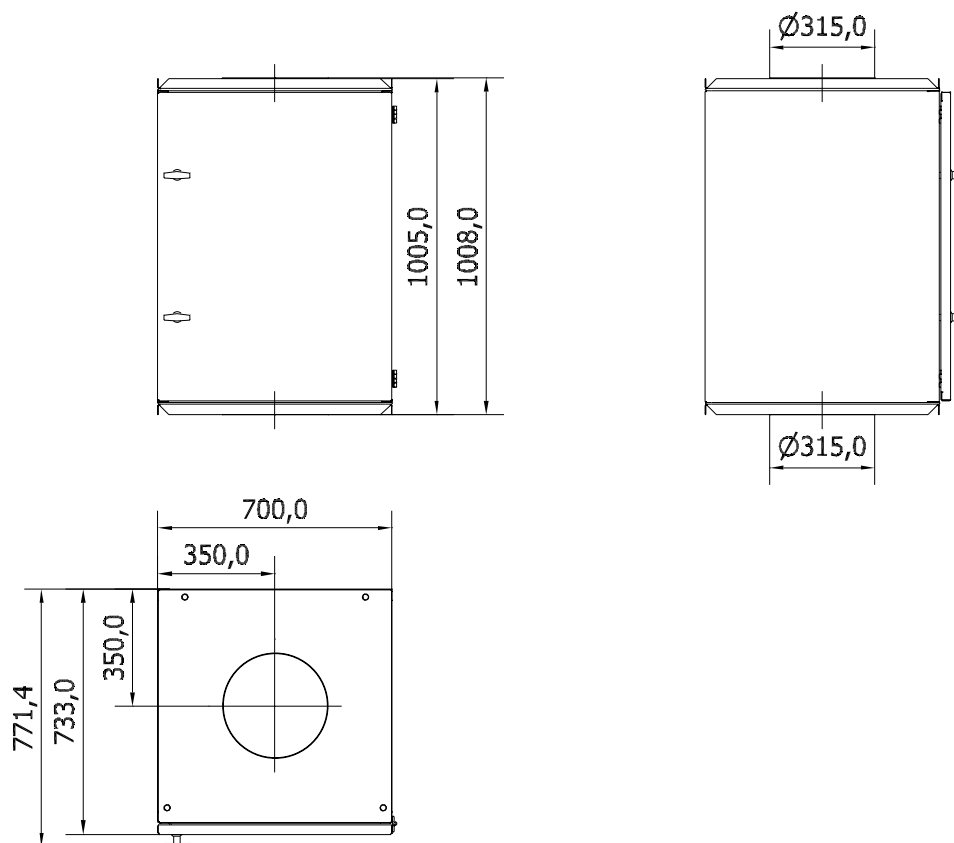


Type	Order no. Without Minihelic- differential pressure manometer
AF-A 2	10 454 600

Rev. 12: 16 Data is subject to alterations

CABINETS DISPOSABLE FILTERS Ex II 2DG TYPE KF-A/AF-A/AFK-A

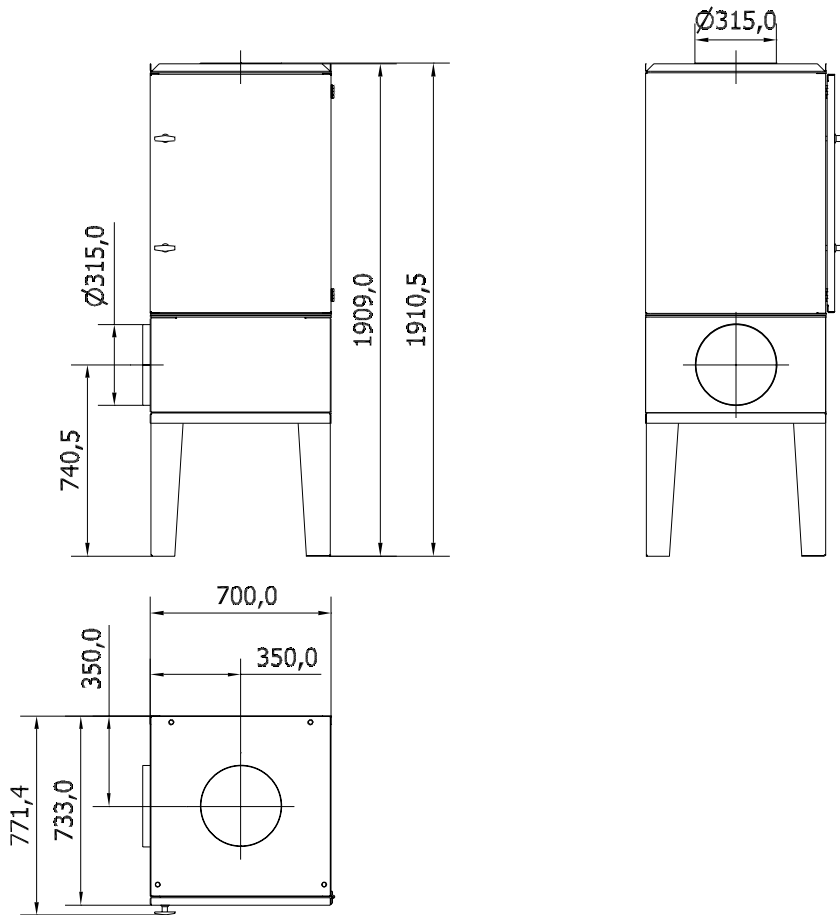
Cabinet for absolute filter type AFK-A1 (excl. filters) with connection in through bottom and out of top:



Type	Order no. Without Minihelic- differential pressure manometer	Order no. With Minihelic- differential pressure manometer
AFK-A 1M7	10 455 000	10 455 200

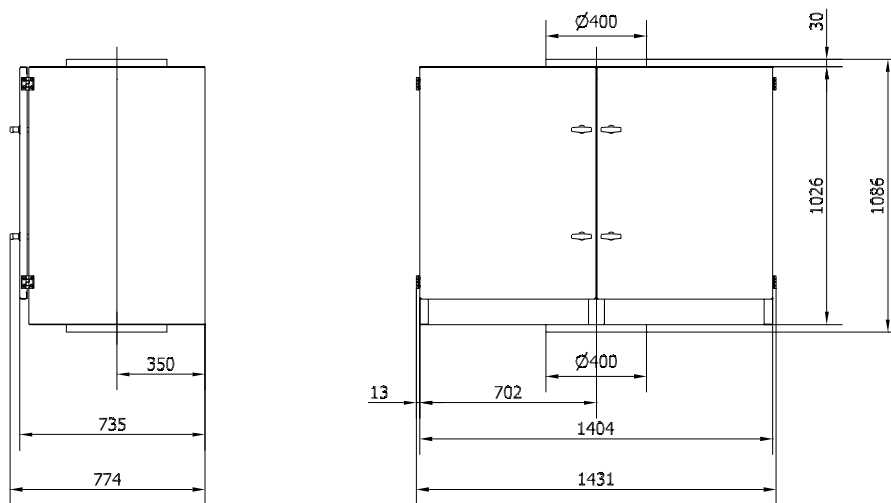
CABINETS DISPOSABLE FILTERS Ex II 2DG TYPE KF-A/AF-A/AFK-A

Cabinet for compact and absolute filter type AFK-A1 (excl. filters) on legs with connection in through side and out of top:



Type	Order no. Without Minihelic- differential pressure manometer	Order no. With Minihelic- differential pressure manometer
AFK-A 1M7	10 455 100	10 455 300

Cabinet for compact and absolute filter type AFK-A2 (excl. filters) with connection in through bottom and out of top:



Type	Order no. Without Minihelic- differential pressure manometer
AFK-A 2	10 454 600

Rev. 12: 16
Data is subject to alterations