



LGF-A 1000 - 1500

- For ATEX-zone 21/1 (2D/2G)
- Mountings for table/wall
- Total length: 1 and 1.5m
- Direct hose connection to channel
- Construction with external bar system
- Flow technical optimized hood
- Suitable for mounting at working machines and on manual working tables

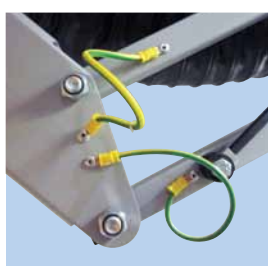
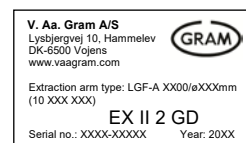


LGF-A 2000 - 9000

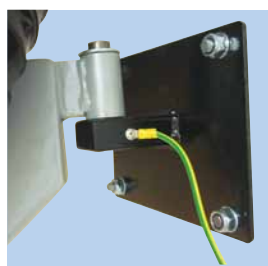
- For ATEX-zone 21/1 (2D/2G)
- Mountings for wall
- Total length: 2 - 9m
- Direct hose connection to channel
- Lengths 5 - 9m are connected with hose to channel (not incl.)
- Construction with external bar system
- Flow technical optimized hood
- Suitable for extraction of smoke, light dust and gases

ATEX zone 21 and 1

- Hose type S9-A in electrically conductive polyethylene with spirale in spring steel wire
- Hose bracket made in plastic
- Arm tested for electrical resistance in bonding circuit 2 - 30 Ohm. Resistance from arm surface to earthing must be less than 1G Ohm.
- Arm made with earth wire for earthing after mounting (see above)
- Hood made with manual damper. Packing in damper: Fabric rubber and handle in plastic.



LGF-A 1000 - 1500
Bend at wall mounting inclusive earth cable.



LGF-A 2000 - 4000
Bend at wall mounting inclusive earth cable.



Joints
Intermediate plates at top joint with relief cables between construction parts.



Hood
Hood additional joint and outer arm connected with earth cables. Hood can rotate in two directions.

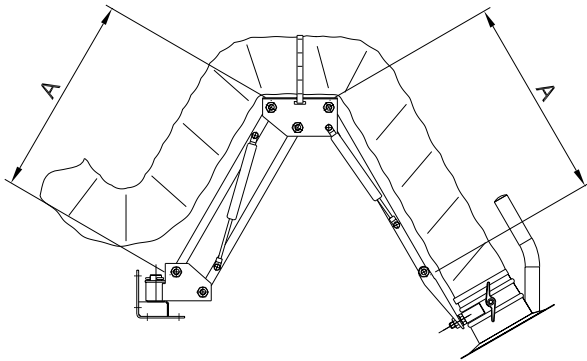
Colour: RAL 9005/colour code 9965 silver (structure)

Diameter	Hose type	Max. vacuum	Damper	See page
ø80-ø160mm	S9-A	1500 Pa	Yes	Group 8



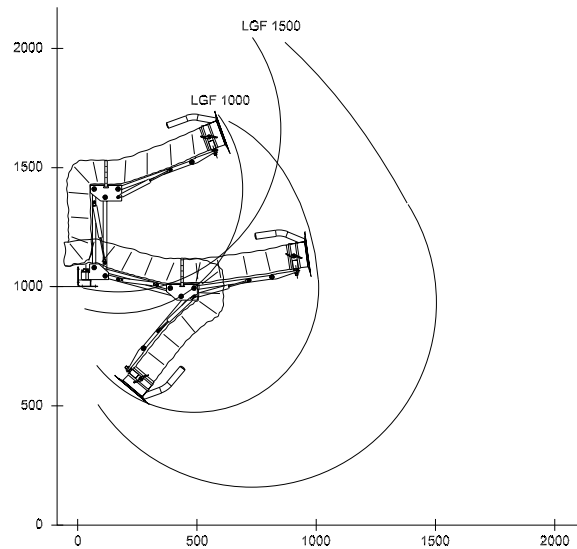
LGF-A arm is designed with external joints, meaning air flow is increased, hose does not wear and service and adjustment are made easy.

Type LGF-A 1000-1500:

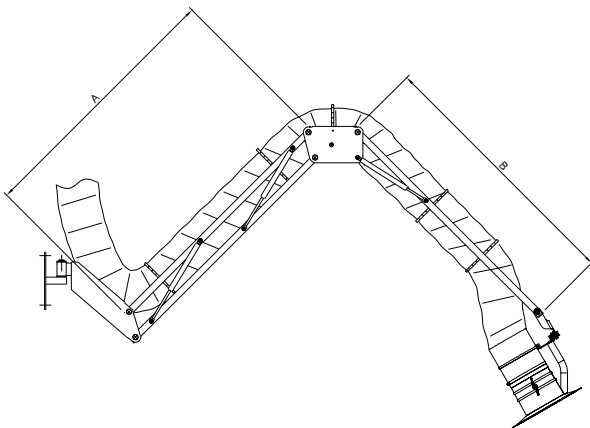


Type	A	Hose diameter
LGF-A 1000	350	ø80-ø160mm
LGF-A 1500	600	ø80-ø160mm

Range LGF-A 1000 - 1500 (ø100mm):

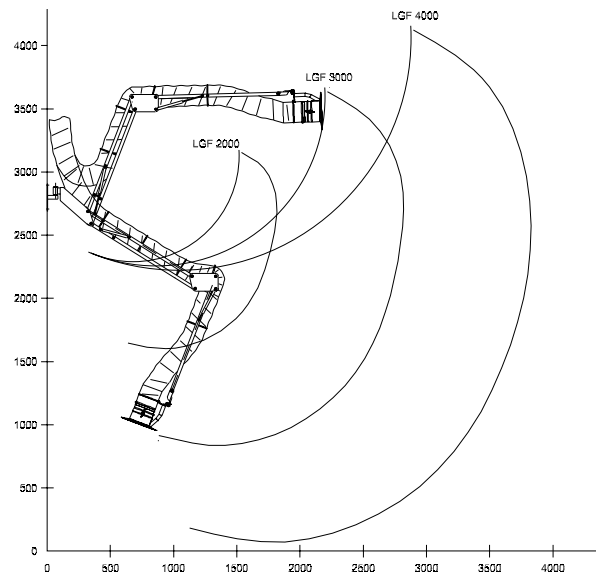


Type LGF-A 2000 - 4000:



Type	A	B	Hose diameter
LGF-A 2000	500	500	ø80-ø160mm
LGF-A 3000	1000	1000	ø80-ø160mm
LGF-A 4000	1500	1500	ø80-ø160mm

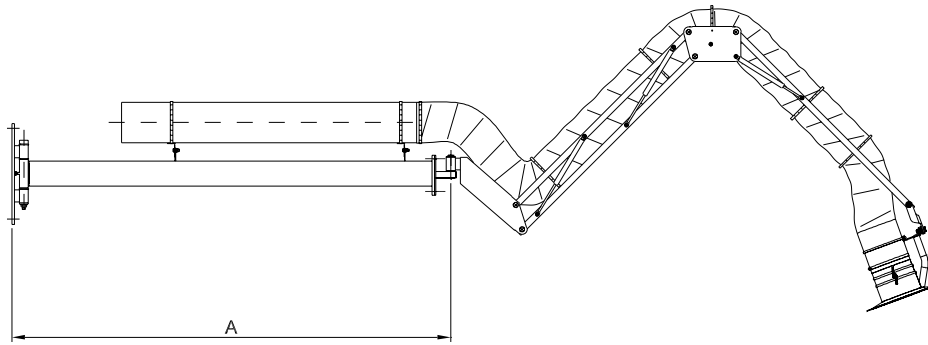
Range LGF-A 2000 - 4000 (ø160mm):



Data is subject to alterations

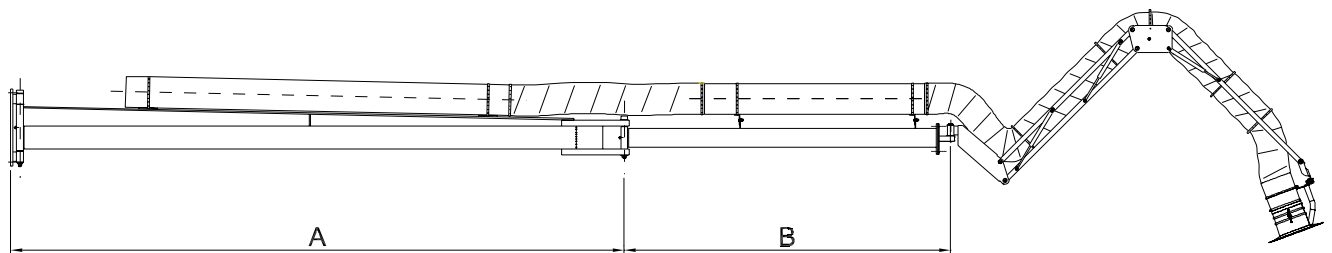
Rev. 01.20

Extraction arm type LGF-A with extension arm/single swing arm:



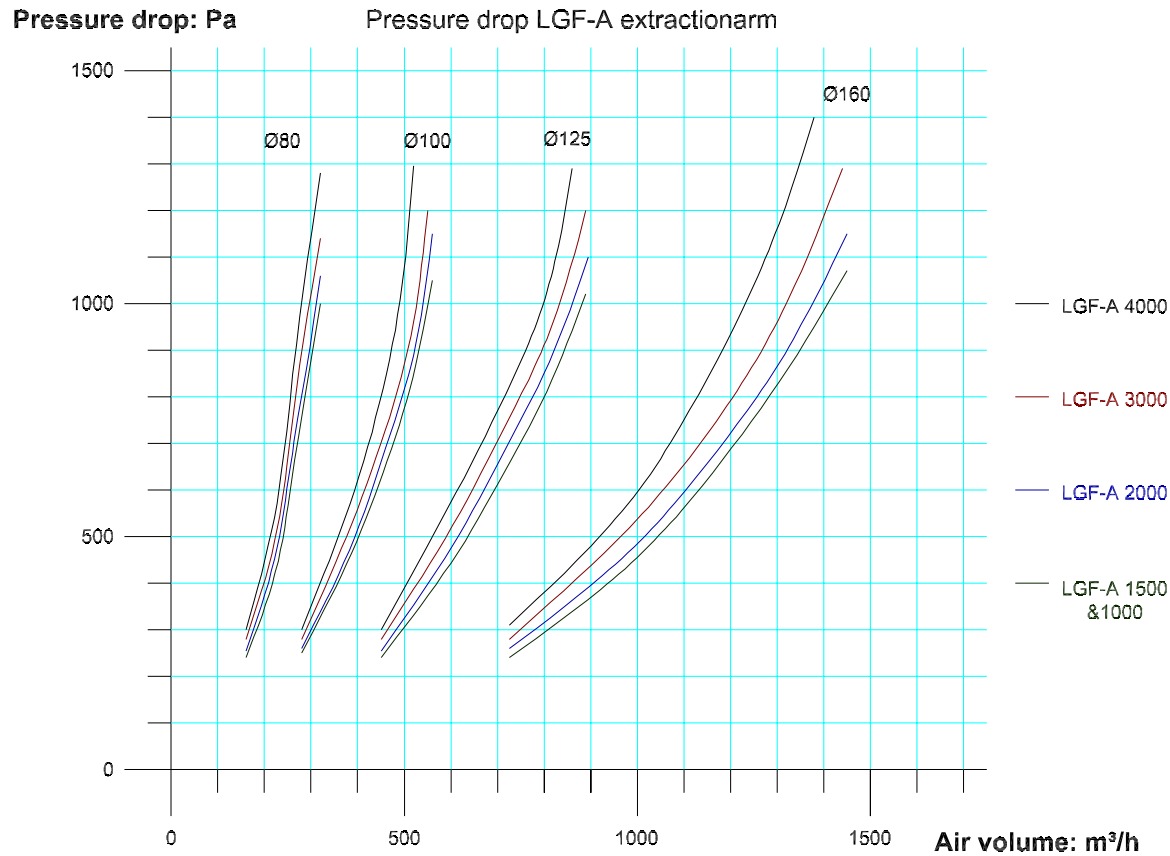
Type	A	Hose diameter	Range (ø160mm)
LGF-A 4000E	845	ø125-ø160mm	3595
LGF-A 5000	1740	ø125-ø160mm	4490

Extension arm/double swing arm, max. 9m (can be folded together against the wall):



Type	A	B	Hose diameter	Range (ø160mm)
LGF-A 6000	2185	800	ø125-ø160mm	5740
LGF-A 7000	2185	1695	ø125-ø160mm	6680
LGF-A 8000	3185	1695	ø125-ø160mm	7680
LGF-A 9000	3185	1695	ø125-ø160mm	8680

Performance curve for LGF-A 1000 - 4000 (ø80 - ø160mm):



Performance table for cantilever joints for LGF-A (ø125 - ø160mm) as well as range:

Diameter	ø125mm	ø160mm
at m³/h	600	1000
1m joint	60 Pa	60 Pa
2m joint	70 Pa	70 Pa
2m + 1m joint	150 Pa	150 Pa
2m + 2m joint	185 Pa	185 Pa
3m + 2m joint	220 Pa	220 Pa

Data is subject to alterations

Rev. 01.20