



For ATEX zone 22/22

Centrifugal fan with closed fan wheel that is used at source extraction from air pollutant or chip making work processes. The transported air may not contain adhesive or sticky fumes, dust and chips.

- Fan made with spark protection
- Fan and spark protection are made according to norm EN 14986

Work area:

Max. pressure: 5,800Pa

Max. air volume: 4,300m³/h

Max. dust volume: 5g/m³, non-sticky

Max. particle size: 5x5x5mm, non-sticky

Temperature: Extracted air (transport air in fan) = max. 60°C

Ambient temperature: max. 40°C

Construction:

Radial fan with closed fan wheel mounted in fully welded steel cabinet and with directly coupled motor.

Model: C (Transport of chips)

Wheel: Fan wheel type P-G. Closed wheel with backward straight, self-cleaning blades
Static/dynamically balanced according to ISO 14694 (BV3 G 6.3)

Cabinet: Fully welded in 3 or 4mm steel plate
Fan housing can be mounted with various inlet positions (RD0, RD90, RD180 and RD270)
Standard enamelling:
Standard delivered in galvanzied version. Subsequently powder enamelled (RAL 5007).

Motor: B5 flange motor
3x400V, 50Hz (3-phased motors 3x400VAC can with special motor frequency regulated. Motor must be marked with frequency regulation data.)
Motor zone 22: II 3D Ex - IIB T120°C

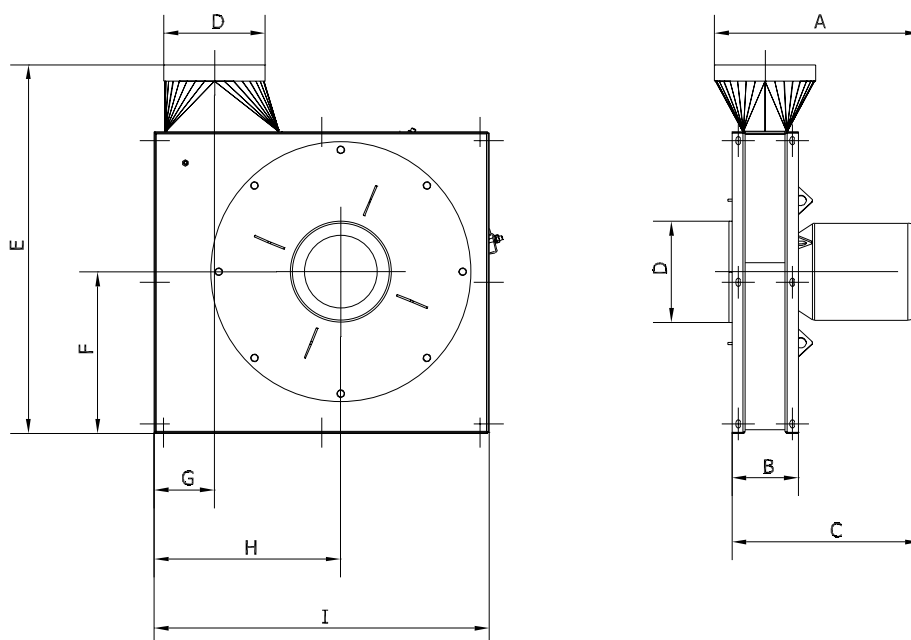
Fan type VP-A-C is made especially for the selected ATEXzone and equipped with ATEX-certificate from factory.

Constructed and tested according to:

- Machine Directive 2006/42/EF
- ATEX-Directive 2014/34/EU
- EMC-Directive 2014/30/EU
- Low Voltage Directive 2014/35/EU
- EN 1127-1
- EN 12100
- EN ISO 12499
- EN ISO 13857
- ISO 14694
- EN 14986
- ISO 3746
- ISO 5801
- ISO 60079-(0+A11)-(1)-(7)-(14)-(15)-(31)
- ISO 60204-1
- EN 60529+A1+A2
- IEC 60034-(1)-(2-1)-(5)-(6)-(7)-(8)-(9)-(12)-(14)-(30-1)
- EN ISO 80079-36

Type	Item no. ATEX zone 22
VP-A-C2 1600/2	10 350 100
VF-A-C2 2000/3	10 350 300
VF-A-C2 2500/1	10 350 500
VF-A-C2 3500/1	10 350 700

Type	Volt [V]	Pole	[kW]	Max. amp.	Start current	Weight [kg]
VP-A-C2 1600/2	3x400	2	4,0	7,70	65,50	66
VF-A-C2 2000/3	3x400	2	5,5	10,10	89,90	87
VF-A-C2 2500/1	3x400	2	5,5	10,10	88,90	98
VF-A-C2 3500/1	3x400	2	7,5	13,20	112,20	120

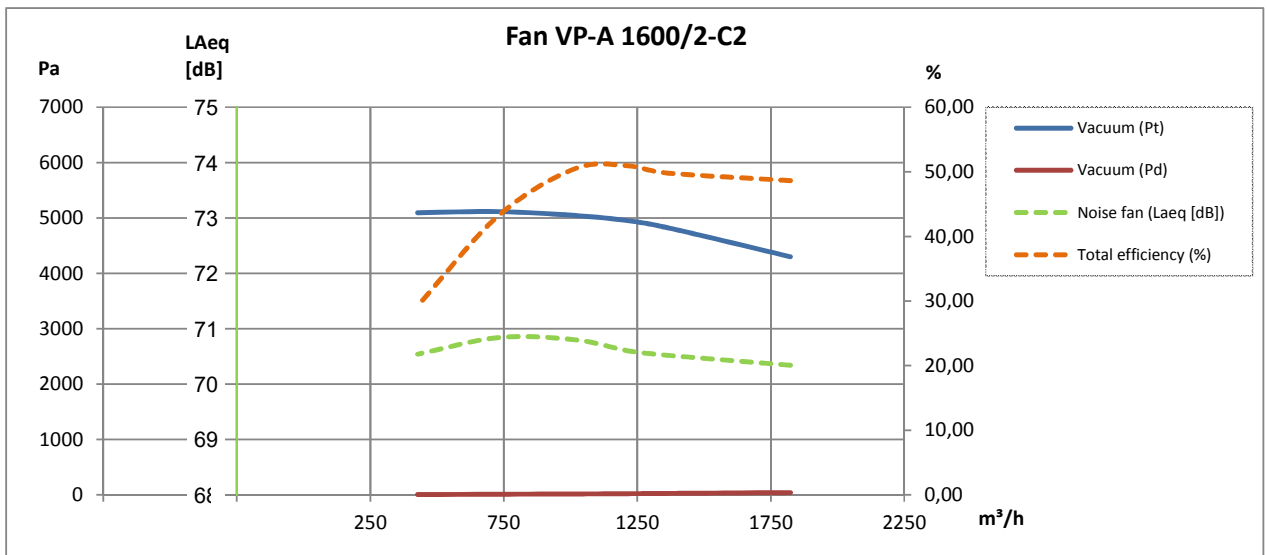


Type	A	B	C	D	E	F	G	H	I
VP-A-C2 1600/2	507	164	464	ø250	914	400	150	462	830
VF-A-C2 2000/3	515	178	478	ø250	902	400	173	462	830
VF-A-C2 2500/1	602	206	565	ø250	902	400	173	462	830
VF-A-C2 3500/1	640	206	603	ø250	902	400	173	462	830

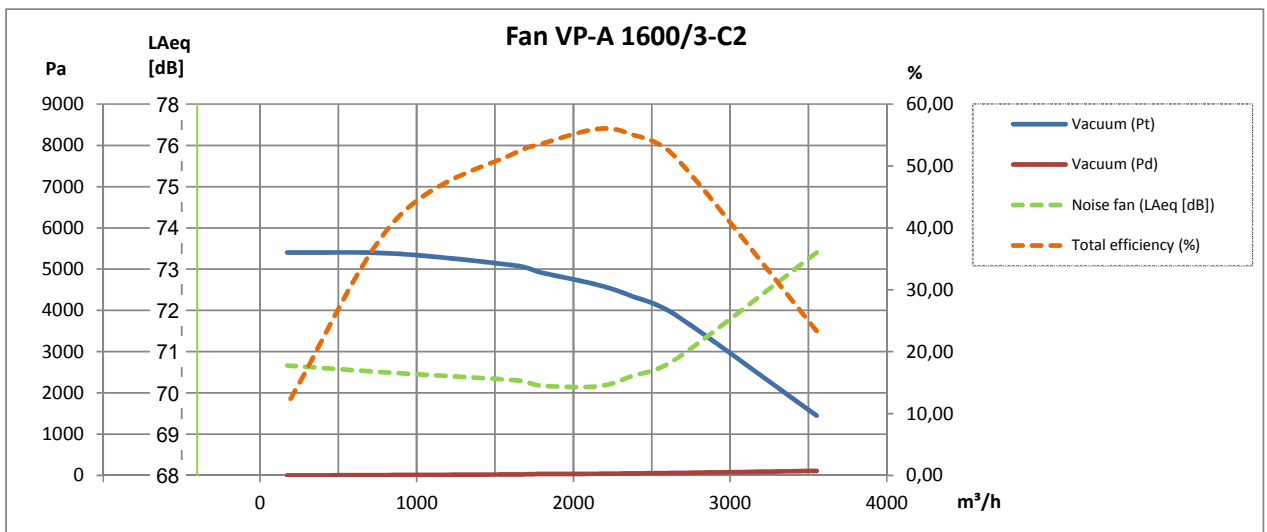
Please, note: Connection measurements are nipple measurements



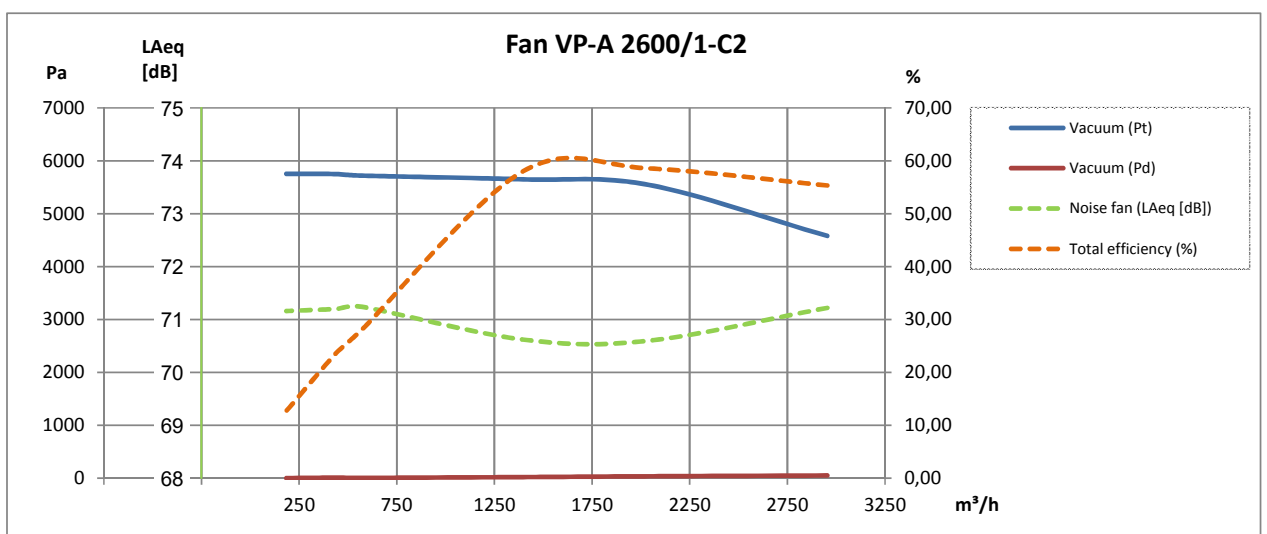
2-pole:



2-pole:



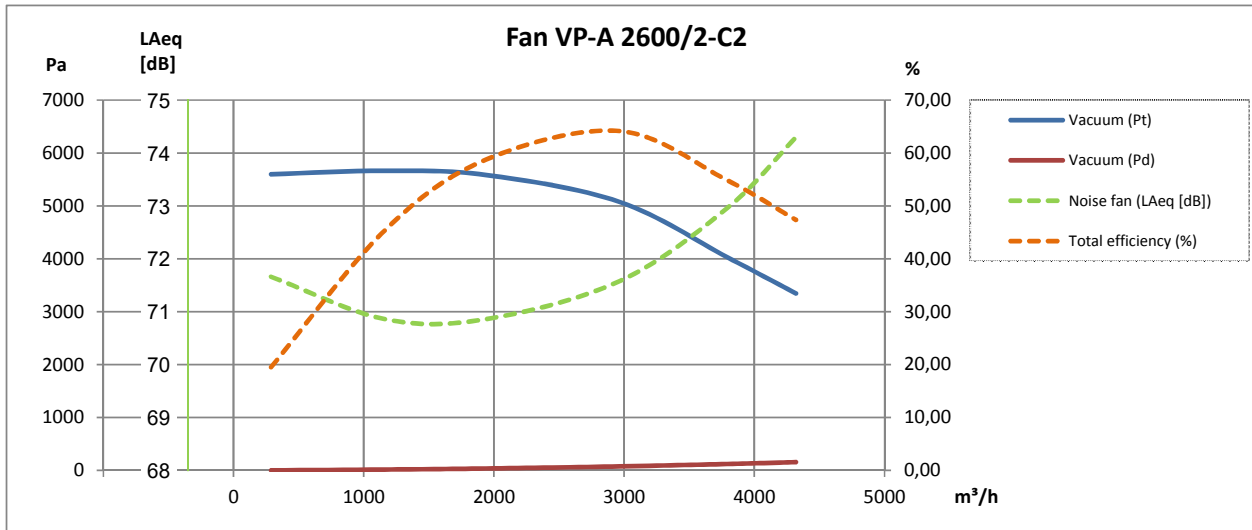
2-pole:



Rev. 01.20 Data is subject to alterations



2-pole:



Rev. 01.20 Data is subject to alterations



Sound enclosure type VAB-A*:

Type (Position RD0)	Item no.
VP-A 1600/2	10 350 150
VP-A 1600/3	10 350 350
VP-A 2600/1,	10 350 550
VP-A 2600/2	10 350 750

* Only for clean air transport



Fan wheels:

Type	Hub [mm]	Fan type**	[Hz]	Item no.
VP 1600/2	ø28	C2	50	03 345 005
VP 1600/3	ø38	C2	50	03 345 305
VP 2600/1 VP 2600/2	ø38	C2	50	03 349 005

**Closed Transport



Further is available:

- Pressure guard
- Mounting fittings
- Vibrations absorbers
- Safety grid
- FLEX flexible connections
- Explosion-protected construction for application in ATEX zones
- Motor starter Y-D
- Frequency converter

Photo:

ABB frequency converter type ACH 580

- Do not forget application of ATEX-approved thermister relay - see price list