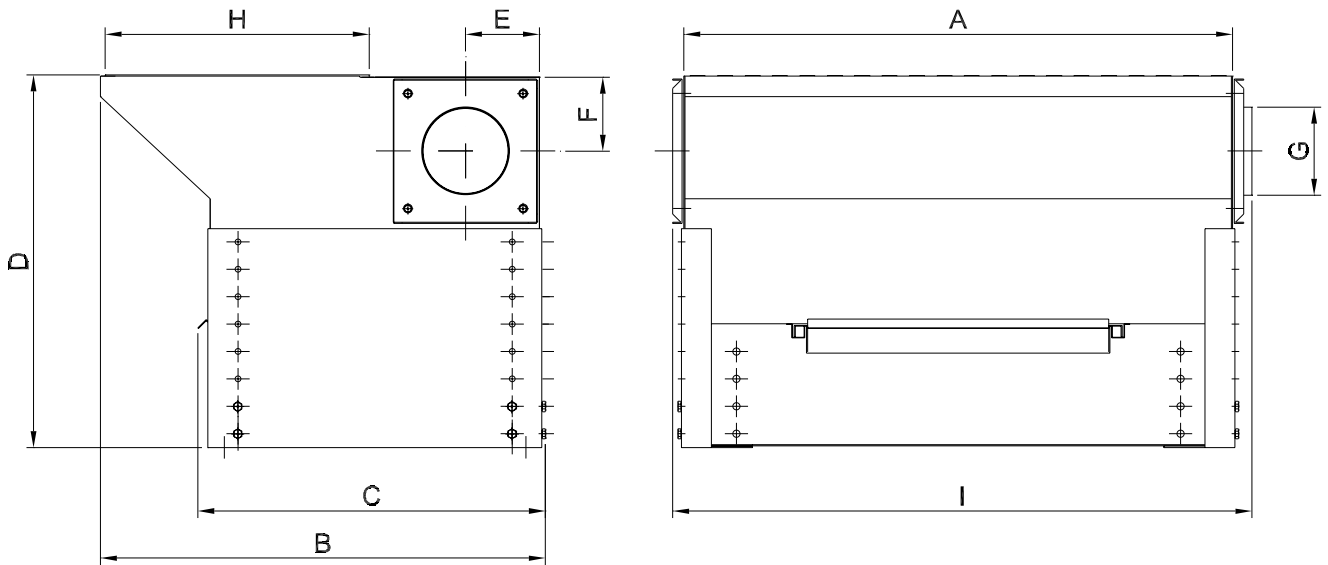


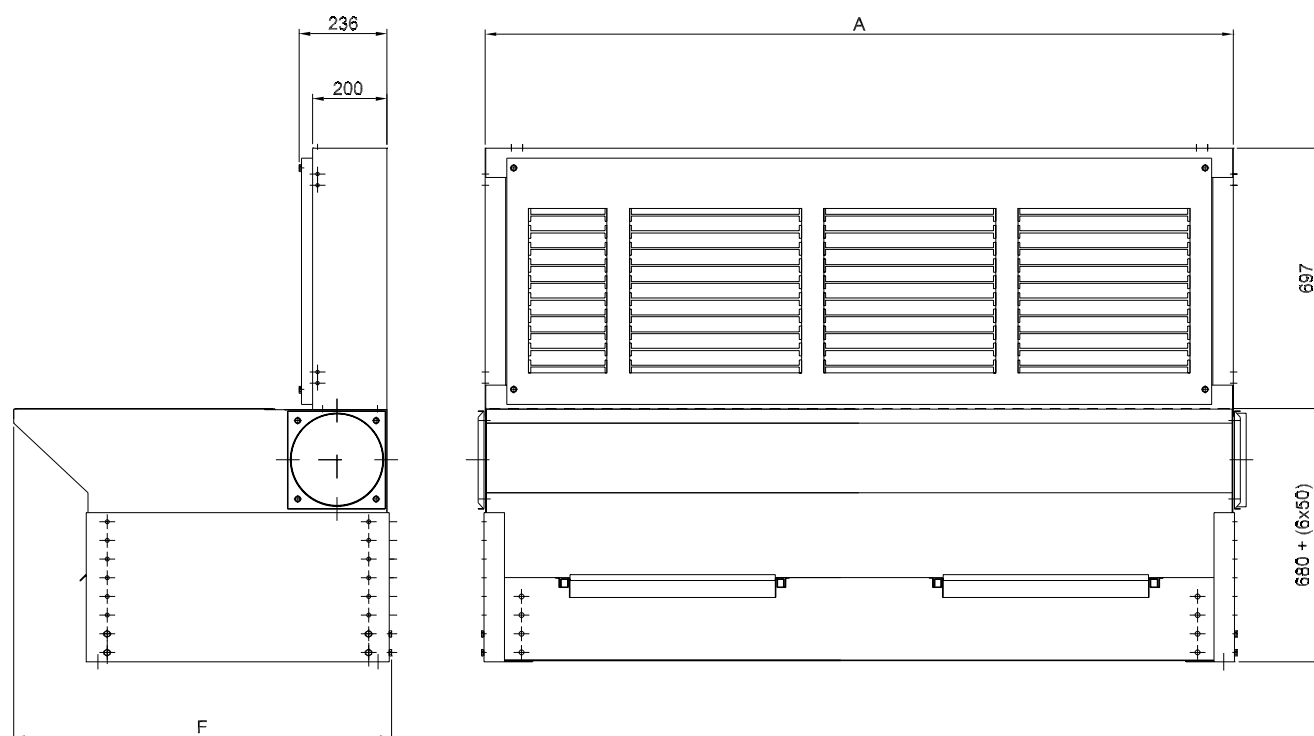
Extraction table type UF:



Type	Order no.	A	B	C	D*	E	F	G	H	I
UF 1000/1000	02 205 000	1000	1015	836	680 - 980	135	135	ø160	680	1056
UF 1500/1000	02 210 000	1500	1015	836	680 - 980	135	135	ø200	680	1556
UF 2000/1000	02 215 000	2000	1015	836	680 - 980	135	135	ø250	680	2056
UF 2500/1000	02 217 000	2500	1015	836	680 - 980	135	135	ø250	680	2556
UF 3000/1000	02 220 000	3000	1015	836	680 - 980	135	135	ø250	680	3056
UF 1000/1250	02 205 900	1000	1261	1084	680 - 980	135	135	ø160	930	1056
UF 1500/1250	02 210 900	1500	1261	1084	680 - 980	135	135	ø200	930	1556
UF 2000/1250	02 215 900	2000	1261	1084	680 - 980	135	135	ø250	930	2056
UF 2500/1250	02 217 900	2500	1261	1084	680 - 980	135	135	ø250	930	2556
UF 3000/1250	02 220 900	3000	1261	1084	680 - 980	135	135	ø250	930	3056

* Height-adjustable

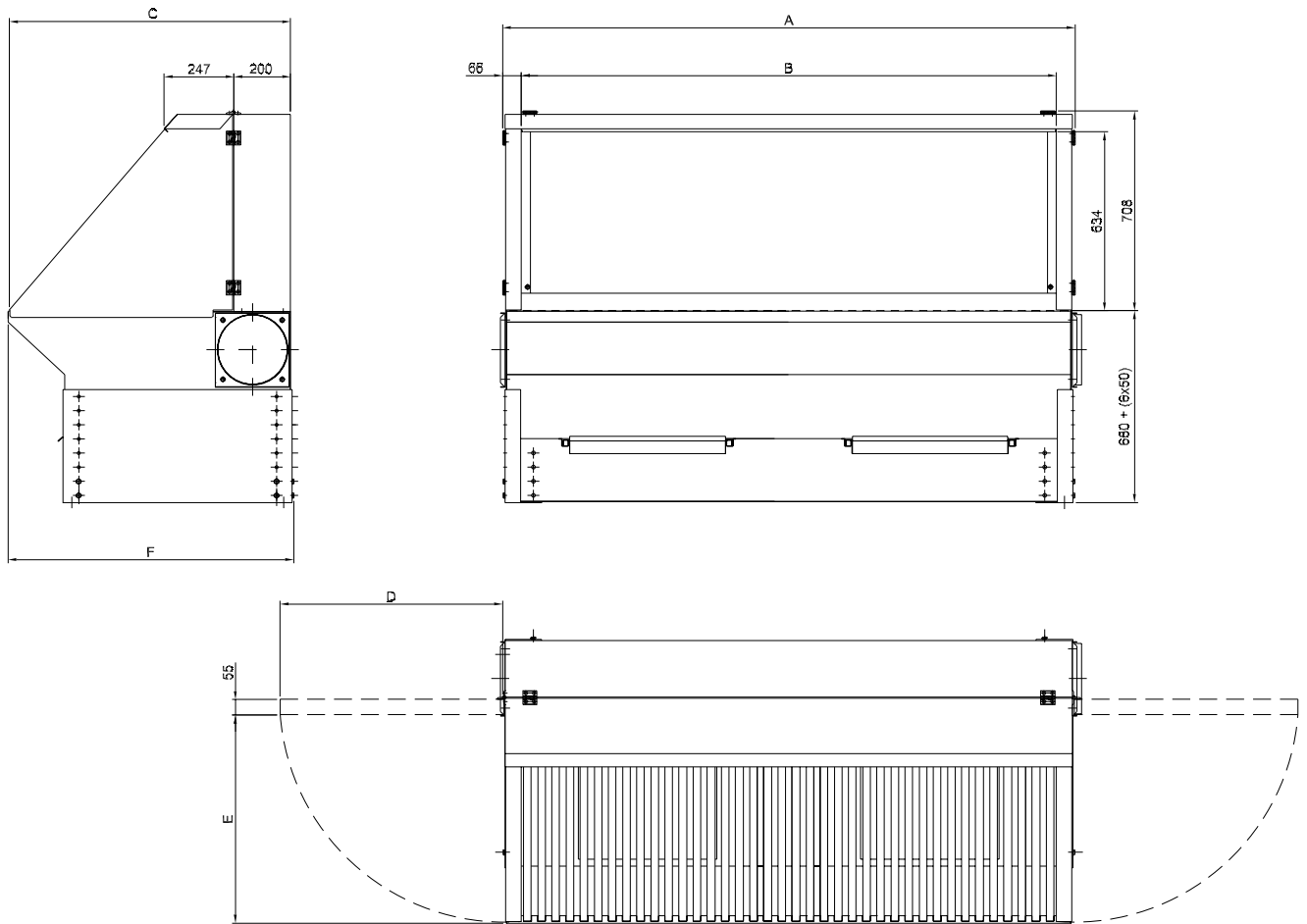
Extraction table type UF-B - with backwall with extraction:



Type	Order no.	A	F
UF-B 1000/1000	02 205 100	1030	1015
UF-B 1500/1000	02 210 100	1530	1015
UF-B 2000/1000	02 215 100	2030	1015
UF-B 2500/1000	02 217 100	2530	1015
UF-B 3000/1000	02 220 100	3030	1015
UF-B 1000/1250	02 205 920	1030	1261
UF-B 1500/1250	02 210 950	1530	1261
UF-B 2000/1250	02 215 950	2030	1261
UF-B 2500/1250	02 217 950	2530	1261
UF-B 3000/1250	02 220 950	3030	1261

Extraction table type UF-BS

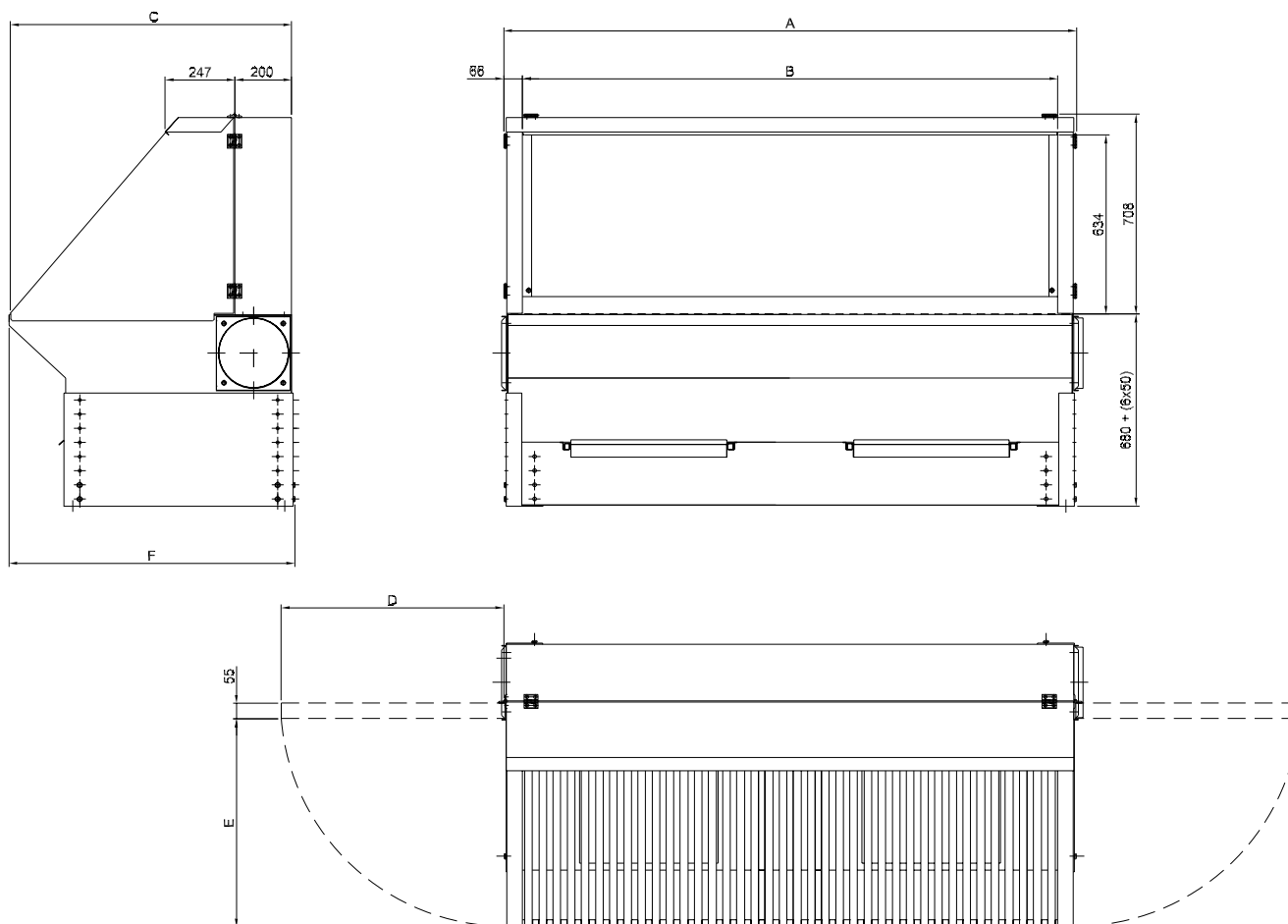
- with backwall with extraction, sides and top without noise damping:



Type	Order no	A	B	C	D	E	F
UF-BS 1000/1000	02 205 200	1030	998	998	790	738	1020
UF-BS 1500/1000	02 210 200	1530	1498	998	790	738	1020
UF-BS 2000/1000	02 215 200	2030	1898	998	790	738	1020
UF-BS 2500/1000	02 217 200	2530	2498	998	790	738	1020
UF-BS 3000/1000	02 220 200	3030	2998	998	790	738	1020
UF-BS 1000/1250	02 205 930	1030	998	1248	1040	998	1270
UF-BS 1500/1250	02 210 960	1530	1498	1248	1040	998	1270
UF-BS 2000/1250	02 215 960	2030	1898	1248	1040	998	1270
UF-BS 2500/1250	02 217 960	2530	2498	1248	1040	998	1270
UF-BS 3000/1250	02 220 960	3030	2998	1248	1040	998	1270

Extraction table type UF-BS-ISO

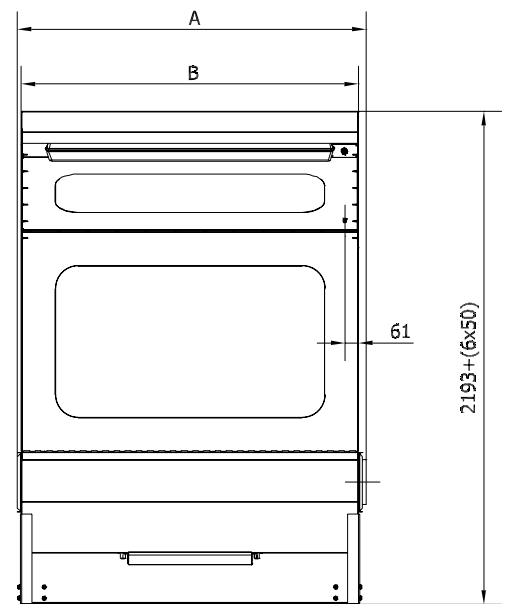
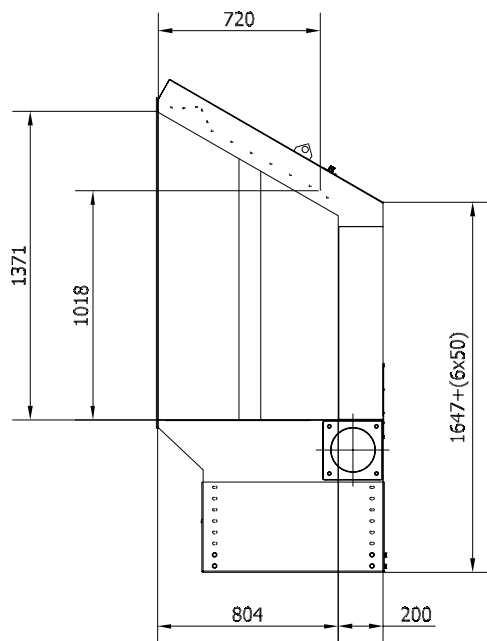
- with backwall with extraction, sides and top with noise damping:



Type	Order no.	A	B	C	D	E	F
UF-BS-ISO 1000/1000	02 205 300	1030	998	998	790	738	1020
UF-BS-ISO 1500/1000	02 210 300	1530	1498	998	790	738	1020
UF-BS-ISO 2000/1000	02 215 300	2030	1898	998	790	738	1020
UF-BS-ISO 2500/1000	02 217 300	2530	2498	998	790	738	1020
UF-BS-ISO 3000/1000	02 220 300	3030	2998	998	790	738	1020
UF-BS-ISO 1000/1250	02 205 940	1030	998	1248	1040	998	1270
UF-BS-ISO 1500/1250	02 210 970	1530	1498	1248	1040	998	1270
UF-BS-ISO 2000/1250	02 215 970	2030	1898	1248	1040	998	1270
UF-BS-ISO 2500/1250	02 217 970	2530	2498	1248	1040	998	1270
UF-BS-ISO 3000/1250	02 220 970	3030	2998	1248	1040	998	1270

Extraction table type UF-EM

- with backwall with slanted top with extraction 30° angled, light in top and lamellas along the sides:



Type	Order no.	A	B
UF-EM 1000/1000	02 205 400	1050	1000
UF-EM 1500/1000	02 210 400	1550	1500
UF-EM 2000/1000	02 215 400	2050	2000