

Extraction table with standard extraction by table top. Is applicable as glueing, grinding, polishing, welding or as manual cutting table.

- Lengths: 1000 to 3000mm
- Depths: 1000 or 1250mm

Description

- Process air is led in through table ribs, backwall or hood and out through outlet at table end.
- Connection can optionally be places in the right or left side with coverplate in the opposite end
- Dust is collected in dust container in bottom end.

Efficient extraction

Extraction in connection with work, where the table ensures evenly distributed airflow. The operator must only place the workpiece on the table - the suction must not be moved according to the task.

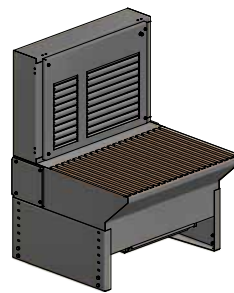
Easy mounting, connection and operation

The table is delivered completely assembled. Only central fan and filter unit must be connected and adjusted. Connection of piping to table is optional on either the right or left side.

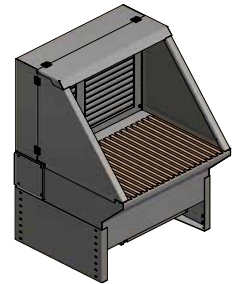
Is further available in following standard versions with top construction:



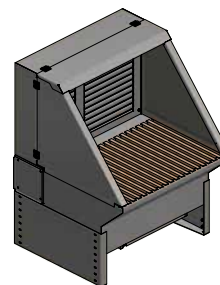
Photo: Extraction table type UF-BS 1500/1000



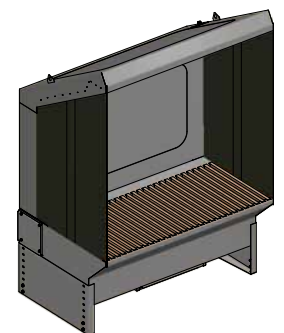
UF-B
Backwall with extraction.



UF-BS
Backwall with extraction as well as top and sides without noise damping.



UF-BS-ISO
Backwall with extraction as well as top and sides with noise damping.



UF-EM
Backwall with slanted top with extraction 30° angled, light in top, lamellas along the side as well as on/off-switch for table light.

Colour: RAL 5007/7011 (structure)

Extraction table type UF:

Type	Order no.	Suction area [mm]	Air volume [m ³ /h]	△ P [Pa]	Weight [kg]
UF 1000/1000	02 205 000	640 x 1000	1150	600	80
UF 1500/1000	02 210 000	640 x 1500	1725	600	120
UF 2000/1000	02 215 000	640 x 2000	2340	600	160
UF 2500/1000	02 217 000	640 x 2500	2900	600	200
UF 3000/1000	02 220 000	640 x 3000	3450	600	240
UF 1000/1250	02 205 900	890 x 1000	1600	600	100
UF 1500/1250	02 210 900	890 x 1500	2400	600	150
UF 2000/1250	02 215 900	890 x 2000	3200	600	200
UF 2500/1250	02 217 900	890 x 2500	4000	600	250
UF 3000/1250	02 220 900	890 x 3000	4800	600	300

Extraction table type UF-B:

Type	Order no.	Suction area [mm]	Air volume [m ³ /h]	△ P [Pa]	Weight [kg]
UF-B 1000/1000	02 205 100	640 x 1000	1150	300	120
UF-B 1500/1000	02 210 100	640 x 1500	1725	300	180
UF-B 2000/1000	02 215 100	640 x 2000	2340	300	240
UF-B 2500/1000	02 217 100	640 x 2500	2900	300	300
UF-B 3000/1000	02 220 100	640 x 3000	3450	300	360
UF-B 1000/1250	02 205 920	890 x 1000	1600	300	140
UF-B 1500/1250	02 210 950	890 x 1500	2400	300	210
UF-B 2000/1250	02 215 950	890 x 2000	3200	300	280
UF-B 2500/1250	02 217 950	890 x 2500	4000	300	350
UF-B 3000/1250	02 220 950	890 x 3000	4800	300	420

Extraction table type UF-BS:

Type	Order no.	Suction area [mm]	Air volume [m ³ /h]	△ P [Pa]	Weight [kg]
UF-BS 1000/1000	02 205 200	640 x 1000	1150	300	177
UF-BS 1500/1000	02 210 200	640 x 1500	1725	300	259
UF-BS 2000/1000	02 215 200	640 x 2000	2340	300	341
UF-BS 2500/1000	02 217 200	640 x 2500	2900	300	423
UF-BS 3000/1000	02 220 200	640 x 3000	3450	300	505
UF-BS 1000/1250	02 205 930	890 x 1000	1600	300	200
UF-BS 1500/1250	02 210 960	890 x 1500	2400	300	292
UF-BS 2000/1250	02 215 960	890 x 2000	3200	300	384
UF-BS 2500/1250	02 217 960	890 x 2500	4000	300	474
UF-BS 3000/1250	02 220 960	890 x 3000	4800	300	568

Extraction table type UF-BS-ISO:

Type	Order no.	Suction area [mm]	Air volume [m³/h]	Δ P [Pa]	Weight [kg]
UF-BS-ISO 1000/1000	02 205 300	640 x 1000	1150	300	182
UF-BS-ISO 1500/1000	02 210 300	640 x 1500	1725	300	267
UF-BS-ISO 2000/1000	02 215 300	640 x 2000	2340	300	352
UF-BS-ISO 2500/1000	02 217 300	640 x 2500	2900	300	437
UF-BS-ISO 3000/1000	02 220 300	640 x 3000	3450	300	522
UF-BS-ISO 1000/1250	02 205 940	890 x 1000	1600	300	206
UF-BS-ISO 1500/1250	02 210 970	890 x 1500	2400	300	301
UF-BS-ISO 2000/1250	02 215 970	890 x 2000	3200	300	396
UF-BS-ISO 2500/1250	02 217 970	890 x 2500	4000	300	489
UF-BS-ISO 3000/1250	02 220 970	890 x 3000	4800	300	586

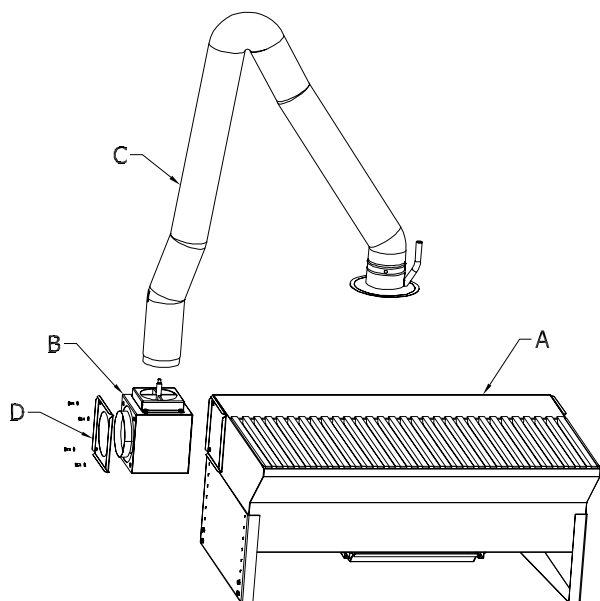
Extraction table type UF-EM:

Type	Order no.	Suction area [mm]	Air volume [m³/h]	Δ P [Pa]	Weight [kg]
UF-EM 1000/1000	02 205 400	640 x 1000	1150	300	160
UF-EM 1500/1000	02 210 400	640 x 1500	1725	300	200
UF-EM 2000/1000	02 215 400	640 x 2000	2340	300	250



Photo: Extraction table type UF-BS-ISO 2500/1000 with steel slats and support plate for mounting of vice

Additional equipment for extraction table type UF:



- A: Extraction table type UF (D = standard part of table)
- B: Fitting for extraction arm mounting
- C: Extraction arm for table mounting
- D: Standard connection piece for table



Photo: CEE-plug

Order no.	Description
02 205 050	Add. payment for perforated table top UF 1000x1000
02 210 050	Add. payment for perforated table top UF 1500x1000
02 215 050	Add. payment for perforated table top UF 2000x1000
02 217 050	Add. payment for perforated table top UF 2500x1000
02 220 050	Add. payment for perforated table top UF 3000x1000
02 205 950	Add. payment for perforated table top UF 1000x1250
02 210 940	Add. payment for perforated table top UF 1500x1250
02 215 940	Add. payment for perforated table top UF 2000x1250
02 217 950	Add. payment for perforated table top UF 2500x1250
02 220 940	Add. payment for perforated table top for UF 3000x1250
02 210 701	Extraction arm mounting of type RGF in table version ϕ 160mm (length 2000 - 4000mm)
02 668 705	Support plate for mounting of vice or the like on UF D:1000mm
02 668 710	Support plate for mounting of vice or the like on UF D:1250mm
02 210 450	Fixture base for fixture for UF D: 1000mm
02 210 650	Fixture base for fixture for UF D: 1250mm
02 210 460	Fixture for mounting on fixture base for pipe max. ϕ 90mm for UF/UFPR
02 668 030	Additional payment for strengthening UF 1000x1000 from max. load 150kg/m on rib surface to 300kg/m
02 668 040	Additional payment for strengthening UF 1500x1000 from max. load 150kg/m on rib surface to 300kg/m
02 668 020	Additional payment for strengthening UF 2000x1000 from max. load 150kg/m on rib surface to 300kg/m
02 668 010	Additional payment for strengthening UF 2500x1000 from max. load 150kg/m on rib surface to 300kg/m
02 668 050	Additional payment for strengthening UF 3000x1000 from max. load 150kg/m on rib surface to 300kg/m
02 668 060	Additional payment for strengthening UF 1000x1250 from max. load 150kg/m on rib surface to 300kg/m
02 668 070	Additional payment for strengthening UF 1500x1250 from max. load 150kg/m on rib surface to 300kg/m
02 668 080	Additional payment for strengthening UF 2000x1250 from max. load 150kg/m on rib surface to 300kg/m
02 668 090	Additional payment for strengthening UF 2500x1250 from max. load 150kg/m on rib surface to 300kg/m
02 668 100	Additional payment for strengthening UF 3000x1250 from max. load 150kg/m on rib surface to 300kg/m
09 700 000	Fluorescent lighting fitting 1x18 W (excl. switch) - for table lengths under 2000mm
09 701 000	Fluorescent lighting fitting 1x36 W (excl. switch) - for table lengths starting from 2000mm
09 703 000	Additional payment for fluorescent lighting fitting mounting in hinged top
09 703 100	Additional payment for mounting of 5m cable and 230VAC-plug
09 703 200	Additional payment for mounting of 3.3m cable and 230VAC-plug (Schuko)
09 720 000	CEE plug 3-pole 16A 230V