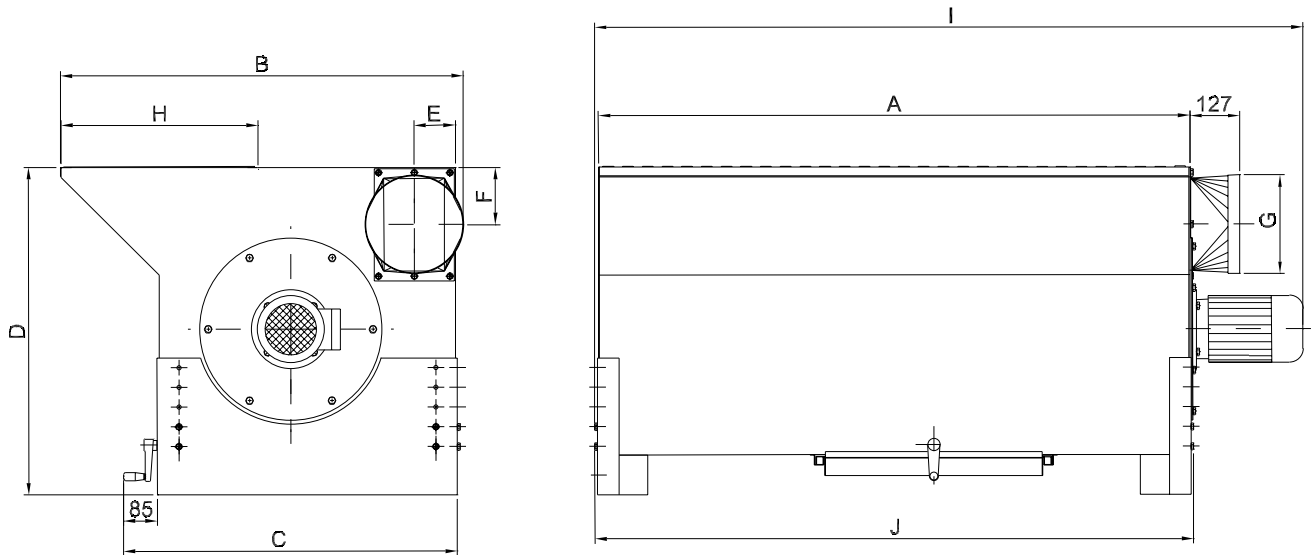


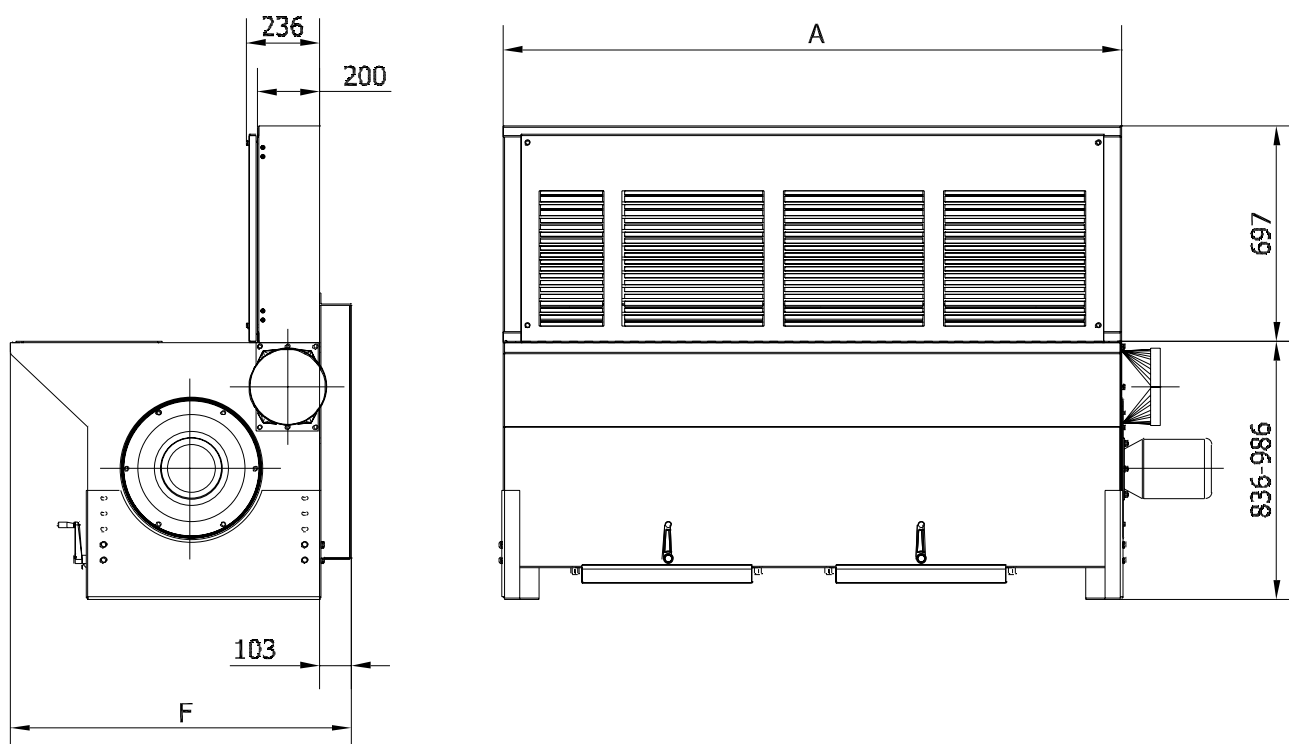
Extraction table type UFPR:



Type	Order no.	A	B	C	D*	E	F	G	H	I	J
UFPR 1000/1000	02 600 500	1000	1022	847	830 - 980	105	145	ø250	485	1271	1018
UFPR 1500/1000	02 605 500	1500	1022	847	830 - 980	105	145	ø250	485	1771	1518
UFPR 2000/1000	02 610 000	2000	1022	847	830 - 980	105	145	ø250	485	2326	2018
UFPR 2500/1000	02 615 000	2500	1022	847	830 - 980	105	145	ø250	485	3081	2518
UFPR 3000/1000	02 620 000	3000	1022	847	830 - 980	105	145	ø250	485	3636	3018
UFPR 1000/1250	02 625 500	1000	1272	1097	830 - 980	105	145	ø250	735	1271	1018
UFPR 1500/1250	02 630 500	1500	1272	1097	830 - 980	105	145	ø250	735	1771	1518
UFPR 2000/1250	02 635 000	2000	1272	1097	830 - 980	105	145	ø250	735	2326	2018
UFPR 2500/1250	02 640 000	2500	1272	1097	830 - 980	105	145	ø250	735	3081	2518
UFPR 3000/1250	02 645 000	3000	1272	1097	830 - 980	105	145	ø250	735	3636	3018

\*Height-adjustable

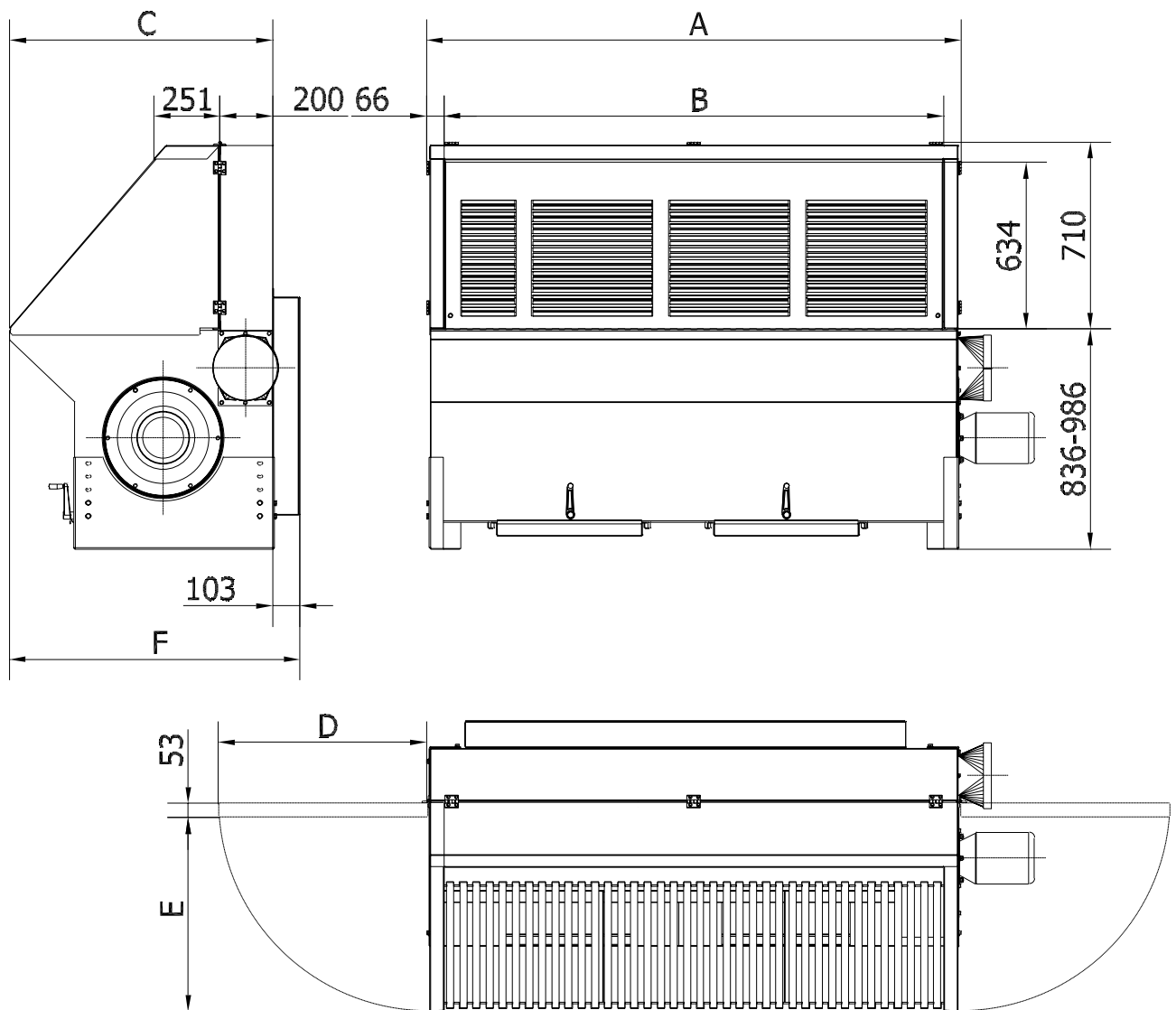
## Extraction table type UFPR-B - with backwall with extraction:



Type	Order no.	A	B	C	D	E	F
UFPR-B 1000/1000	02 600 550	1004	998	998	790	738	1104
UFPR-B 1500/1000	02 605 550	1504	1498	998	790	738	1104
UFPR-B 2000/1000	02 610 050	2004	1898	998	790	738	1104
UFPR-B 2500/1000	02 615 100	2504	2498	998	790	738	1104
UFPR-B 3000/1000	02 620 100	3004	2998	998	790	738	1104
UFPR-B 1000/1250	02 625 550	1004	998	1248	1040	988	1354
UFPR-B 1500/1250	02 630 550	1504	1498	1248	1040	988	1354
UFPR-B 2000/1250	02 635 050	2004	1898	1248	1040	988	1354
UFPR-B 2500/1250	02 640 100	2504	2498	1248	1040	988	1354
UFPR-B 3000/1250	02 645 100	3004	2998	1248	1040	988	1354

## Extraction table type UFPR-BS

- with backwal with extraction, sidewalls and top without noise damping:

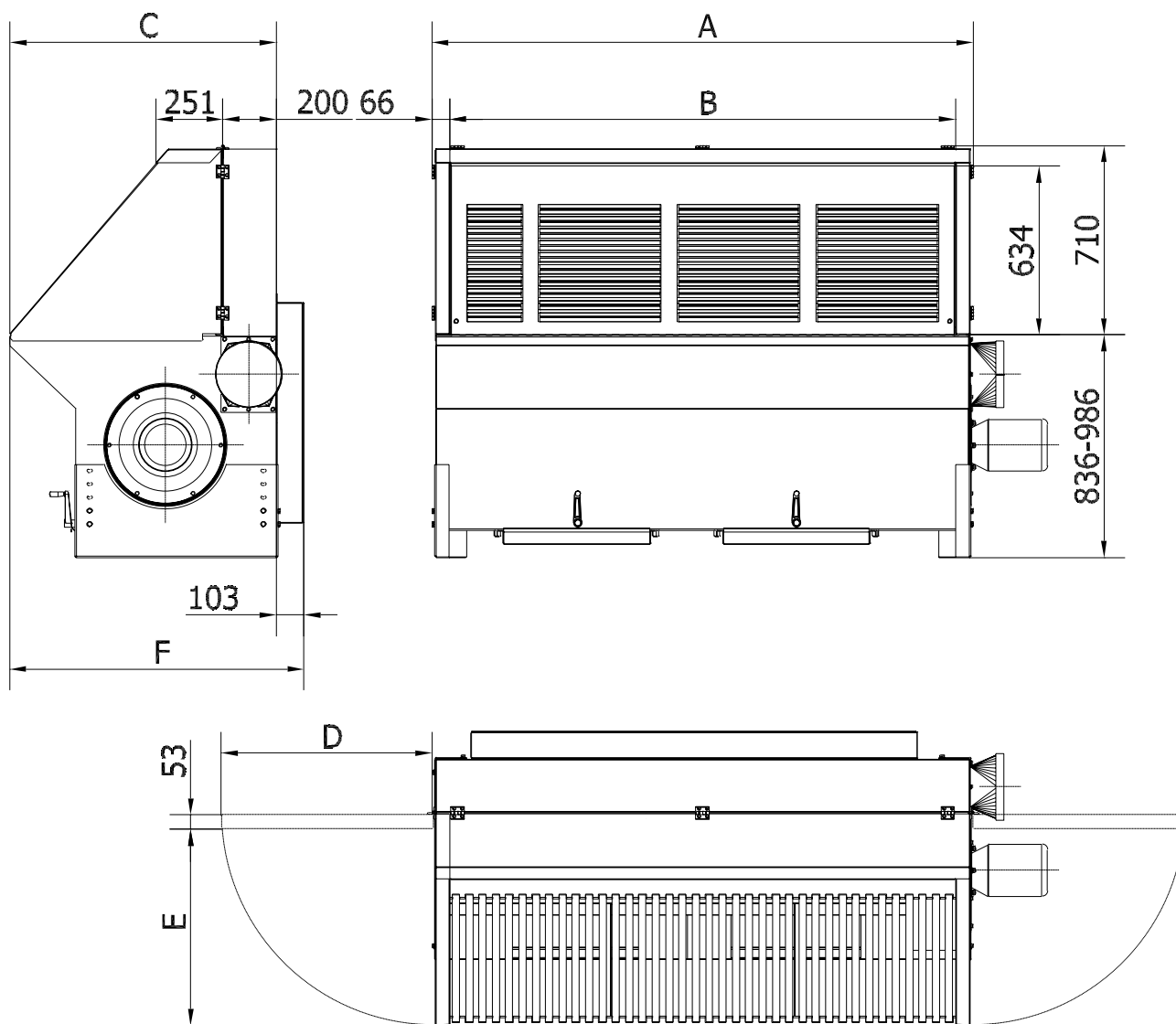


Type	Order no.	A	B	C	D	E	F
UFPR-BS 1000/1000	02 600 560	1030	998	998	790	738	1104
UFPR-BS 1500/1000	02 605 560	1530	1498	998	790	738	1104
UFPR-BS 2000/1000	02 610 060	2030	1898	998	790	738	1104
UFPR-BS 2500/1000	02 615 200	2530	2498	998	790	738	1104
UFPR-BS 3000/1000	02 620 200	3030	2998	998	790	738	1104
UFPR-BS 1000/1250	02 625 560	1030	998	1248	1040	988	1354
UFPR-BS 1500/1250	02 630 560	1530	1498	1248	1040	988	1354
UFPR-BS 2000/1250	02 635 060	2030	1898	1248	1040	988	1354
UFPR-BS 2500/1250	02 640 200	2530	2498	1248	1040	988	1354
UFPR-BS 3000/1250	02 645 200	3030	2998	1248	1040	988	1354

Data is subject to alterations  
Rev. 10.17

## Extraction table type UFPR-BS

- with backwal with extraction, sidewalls and top with noise damping:



Type	Order no.	A	B	C	D	E	F
UFPR-BS-ISO 1000/1000	02 600 570	1030	998	998	790	738	1104
UFPR-BS-ISO 1500/1000	02 605 570	1530	1498	998	790	738	1104
UFPR-BS-ISO 2000/1000	02 610 070	2030	1898	998	790	738	1104
UFPR-BS-ISO 2500/1000	02 615 300	2530	2498	998	790	738	1104
UFPR-BS-ISO 3000/1000	02 620 300	3030	2998	998	790	738	1104
UFPR-BS-ISO 1000/1250	02 625 570	1030	998	1248	1040	988	1354
UFPR-BS-ISO 1500/1250	02 630 570	1530	1498	1248	1040	988	1354
UFPR-BS-ISO 2000/1250	02 635 070	2030	1898	1248	1040	988	1354
UFPR-BS-ISO 2500/1250	02 640 300	2530	2498	1248	1040	988	1354
UFPR-BS-ISO 3000/1250	02 645 300	3030	2998	1248	1040	988	1354

Recht auf Änderungen bleibt vorbehalten.

Rev. 10.17