



Used as preseparator before process air filtration that can contain sparks, which may be the case, when there is a relative short distance from the spark generating process, e.g. grinding, plasma or flame cutting, to the filter unit. In the preseparator with spark arrest type FUV possible sparks are extinguished by a labyrinth with water.

Air volume: From 750 to 9,000m<sup>3</sup>/h

Vacuum: Up to 5,000Pa

**Description:**

- Process air is led in through inlet in the top left side.
- Air is forced down through the labyrinth and shifts direction over the water bath in the bottom of preseparator.
- Possible sparks are captured by water bath.
- Separated material is collected in container bottom suspended in Quicklock system
- The clean air is led out through outlet in top right side.

**Easy connection and application:**

Preseparator with spark arrest type FUV is placed on an even surface before the filter unit and connected to piping on inlet and outlet. Before entry into service water is filled into container. Water level can regularly be checked through water level indicator on container front. FUV is available with automatic water filling. Container on wheels suspended in Quicklock system ensures user-friendly operation.



**Water bath**  
Water bath is easily removed and subsequently serviced.



**Display**  
Fill level can be read during operation.



**Automatic water filling**  
This is an option.



**Inlet**  
Placed in the top left side, after which the air is turned down.

**Construction/surface:**

Filter cabinet is made in 2mm galvanized steel plate  
Surface powder enamelled RAL 5007/7011 structure

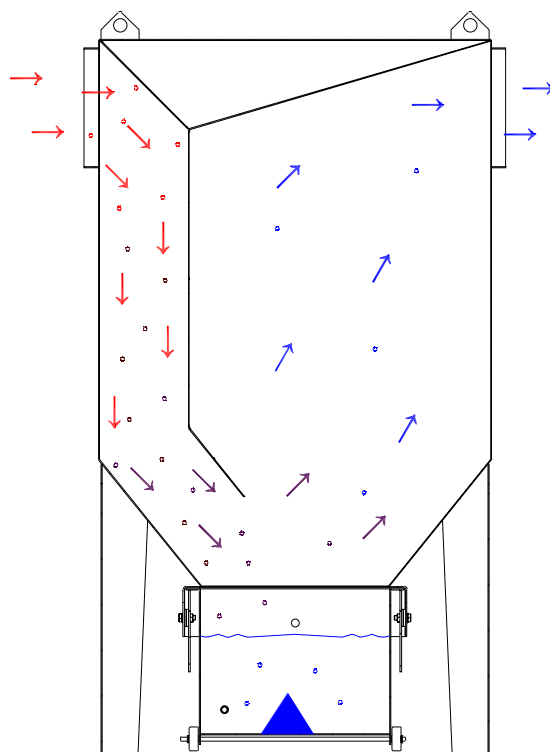
**Further is available:**

- Automatic water filling

Type	Order no.	Δ P [Pa]	Min. air volume [m <sup>3</sup> /h]	Max. air volume [m <sup>3</sup> /h]
FUV 160	04 630 100	500 - 1000	750	1500
FUV 200	04 631 100	500 - 1000	1150	2300
FUV 250	04 632 100	500 - 1000	1750	3500
FUV 315	04 633 100	500 - 1000	2650	5300
FUV 400	04 634 100	500 - 1000	4500	9900

Data is subject to alterations  
Rev. 12.16

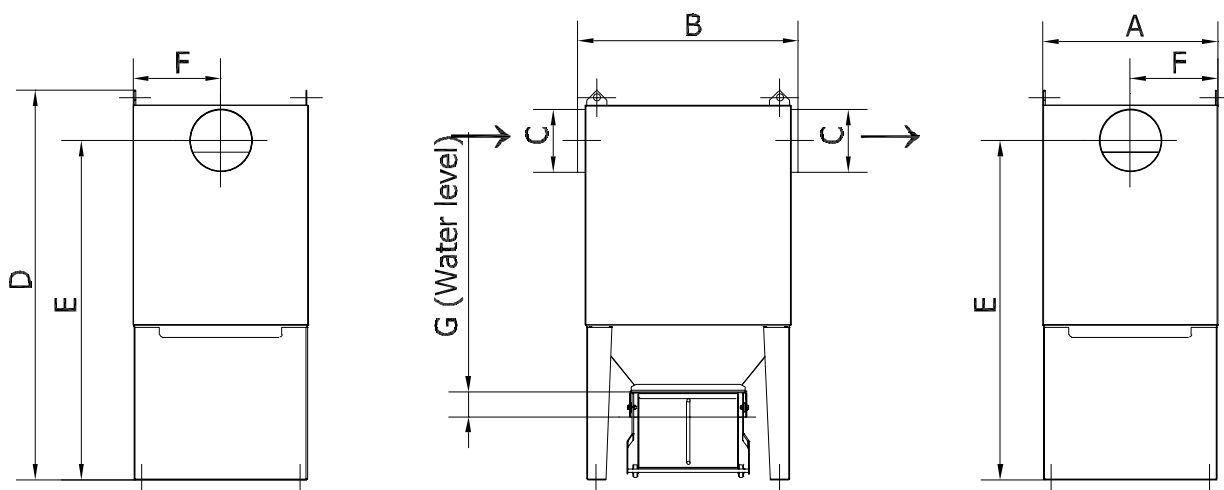
Principle sketch for flow through preseparator type FUV:



Preseparator FUV is available in the sizes as stated in the form below.

Please, contact us for assistance in selecting the optimal unit taking into consideration the air volume.

### Preseparator type FUV 160 - 400:



Type	Order no.	A	B	C	D	E	F	G
FUV 160	04 630 100	506	564	ø160	1154	994	253	80
FUV 200	04 631 100	604	700	ø200	1332	1154	302	80
FUV 250	04 632 100	700	882	ø250	1557	1356	315	80
FUV 315	04 633 100	807	1020	ø315	1738	1511	403	80
FUV 400	04 634 100	1100	1260	ø400	2128	1852	550	80

Rev. 12.16 Data is subject to alterations