

MOUNT FANS



The mount fans are part of a flexible system, where a filter unit is selected, e.g. FRS 10-20, OUK 4000, SKF 4000, or a filter cabinet type KF1, AF1 and AFK1, whereafter a fan module is selected with the required equipment - see below.

Fan module is bolted on the filter module.

The fans are not included by ERP 2013/2015 (EU 327/2011), since the fan is built as a transport fan.

Fan versions:

- B. Fan with sound enclosure type VBS with outlet in top.
- D. Fan with sound enclosure type VBU, HEPA/H13, with outlet in top/grid, with Minihelic-differential pressure manometer (0 - 1kPa).

Mount fan, 3x400V, 2-pole, 50Hz:

Nr.	VL 1150 1.10 kW	VE 2200 2.20 kW	VE 3900 4.00 kW	VPH 1600/2 4.00 kW	VPH 1600/3 5.50 kW	RVH 35/2 4.00 kW	RVH 35/3 5.50 kW
B	03 009 240	03 384 132	03 387 132	03 348 600	03 348 800	04 900 010	04 900 020
D	03 009 270	03 384 122	03 387 122	-	-	-	-

MOUNT FANS



Mount fans VL/VE



Mount fan VPH



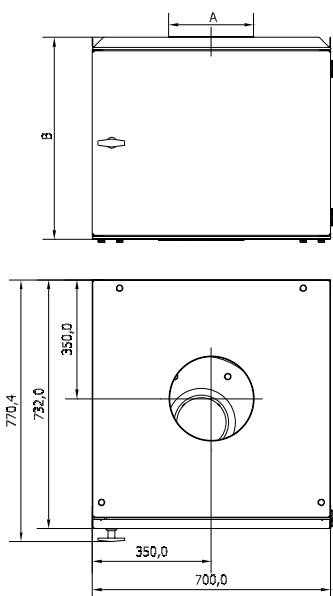
Mount fan RVH

Fan version no. B:

- Selection option of fan types VL, VE, VPH and RVH, 2-pole
- Outlet chamber lined with bonded foam type A1
- Colour: RAL 5007/7011 (structure)

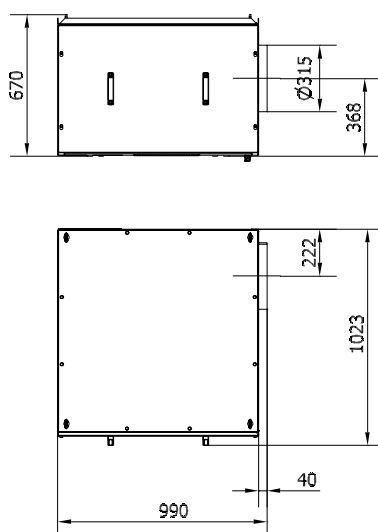
Mount fans VL/VE

- Outlet in top by connection
- For mounting on top of M7-filter cabinets



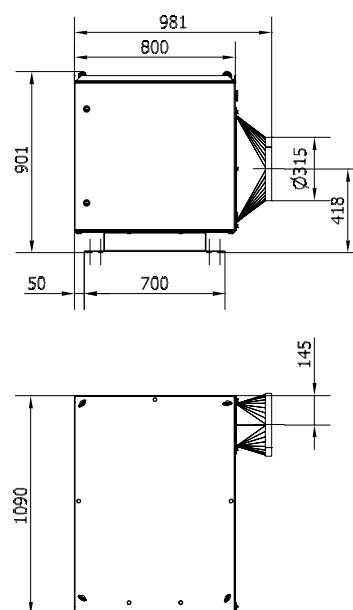
Mount fan VPH

- Outlet in the side (round)
- For mounting on top of filter unit type FRS



Mount fan RVH

- Outlet in the side (square/round)
- For mounting on top of filter unit type FRS



Type	Order no.*	A	B	Weight [kg]	Order no.	FRS	OUK	SKF	KF	AF	AFK
VBS-VL 1150	03 009 240	ø250	597	83	03 009 240	•			•	•	•
VBS-VE 2200	03 384 132	ø315	740	120	03 384 132	•	•	•	•	•	•
VBS-VE 3900	03 387 132	ø315	740	165	03 387 132		•	•			
VBS-VPH 1600/2	03 348 600	-	-	190	03 348 600	•					
VBS-VPH 1600/3	03 348 800	-	-	190	03 348 800	•					
VBS-RVH 35/2	04 900 010	-	-	245	04 900 010	•					
VBS-RVH 35/3	04 900 020	-	-	245	04 900 020	•					

* 3x400V, 2-pole, IE3

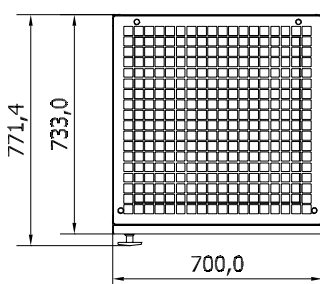
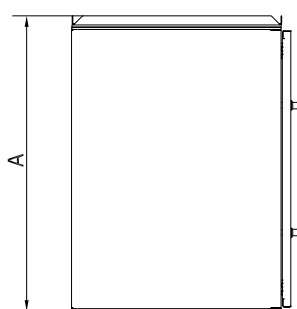
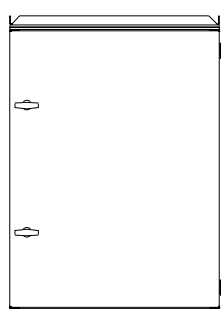
Rev. 04.21 Data is subject to alterations

MOUNT FANS



Fan version no. D:

- Selection option of fan types VL and VE, 2-pole
- Sound enclosure type VBU
- Outlet chamber lined with bonded foam type A1
- Outlet in top/grid
- Absolute filter (HEPA/H13) on fan pressure side - functions as noise damper
- Minihelic-differential pressure manometer (0-1kPa)
- Colour: RAL 5007/7011 (structure)



Type	Order no.*	A	Weight [kg]
VBU-VL 1150	03 009 270	987	183
VBU-VE 2200	03 384 122	1237	200
VBU-VE 3900	03 387 122	1237	245

* 3x400V, 2-pole, IE3

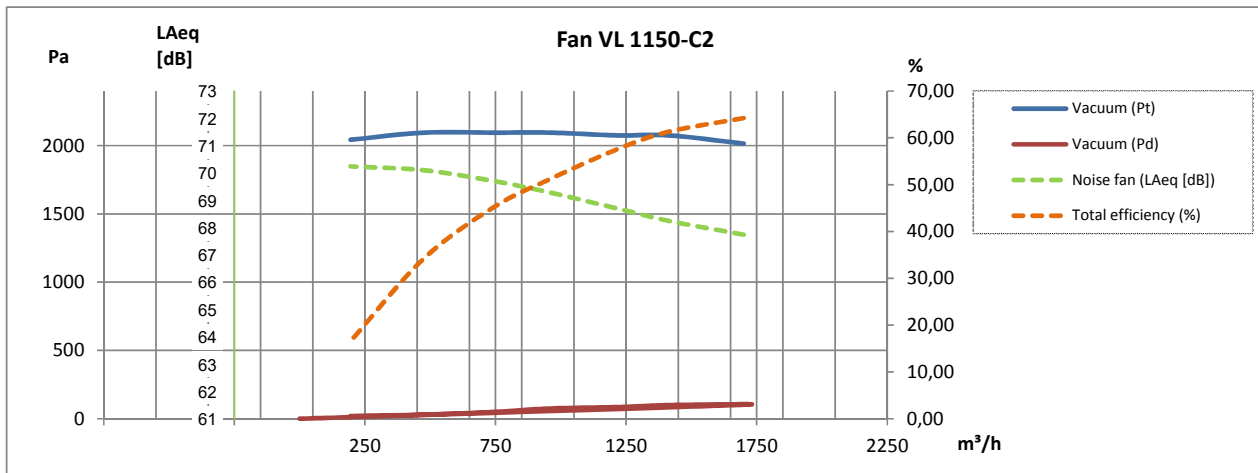
Order no.	FRS	OUK	SKF	KF	AF	AFK
03 009 270				•	•	•
03 384 122		•	•	•	•	•
03 387 122		•	•			

Option for outlet connection on sound enclosure:

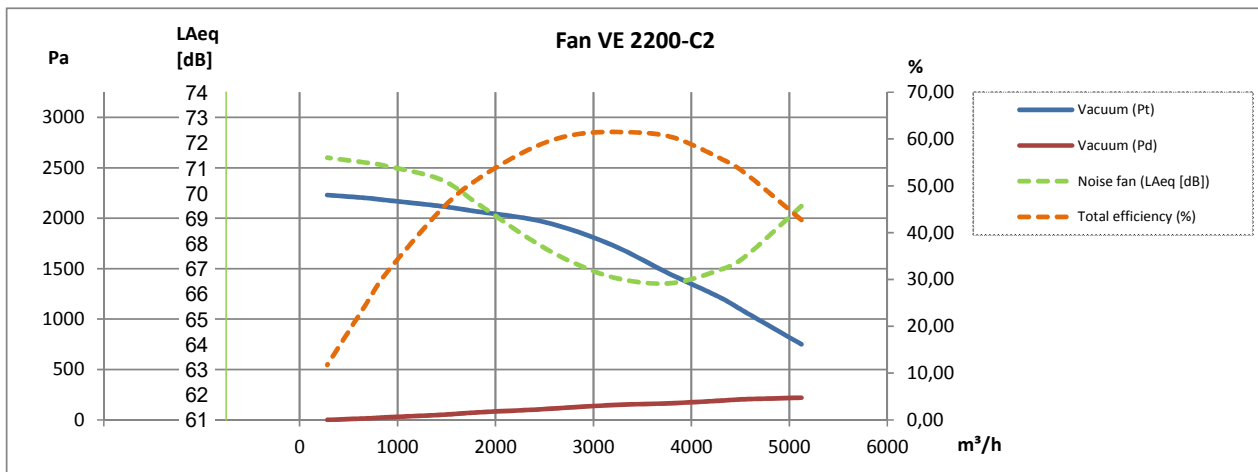
Type	Order no.
VE 2200	03 384 600
VE 3900	03 384 122

MOUNT FANS

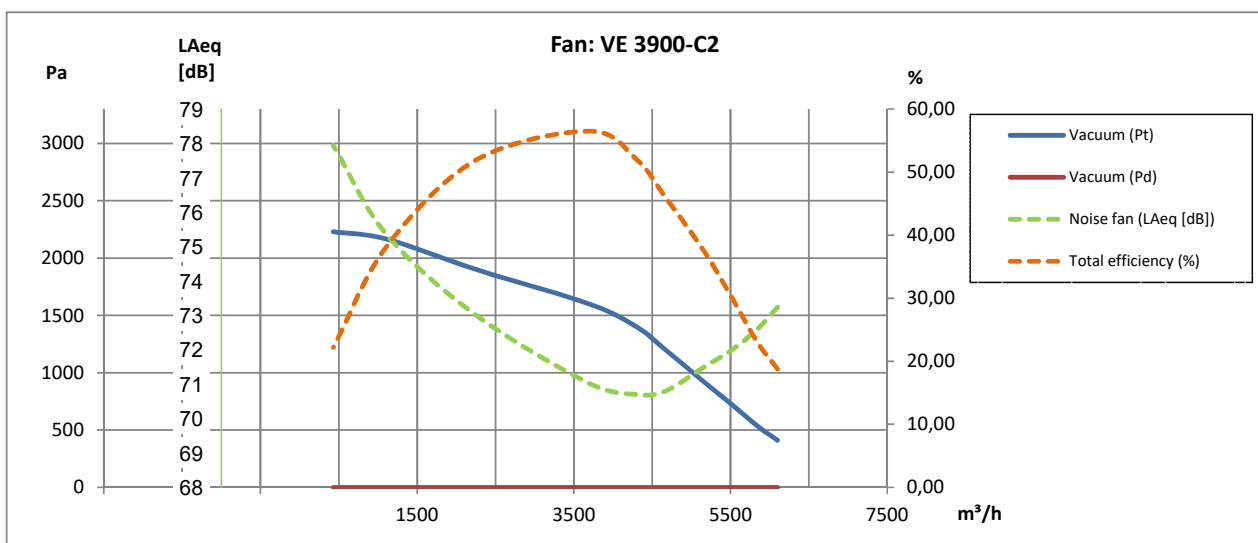
2-pole:



2-pole:



2-pole:

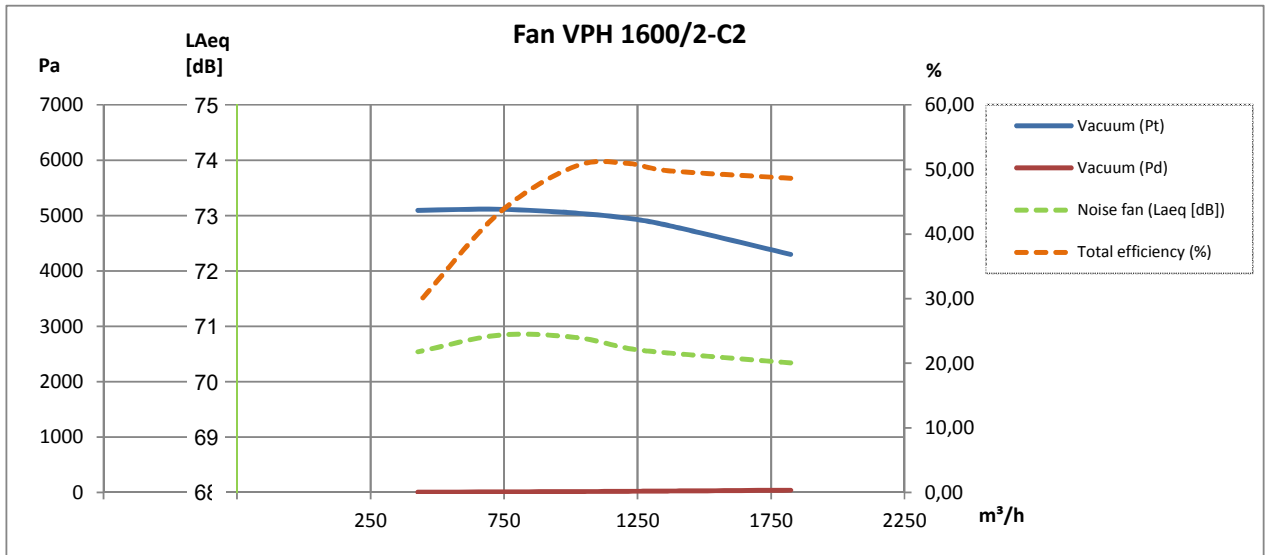


Rev. 04.21 Data is subject to alterations

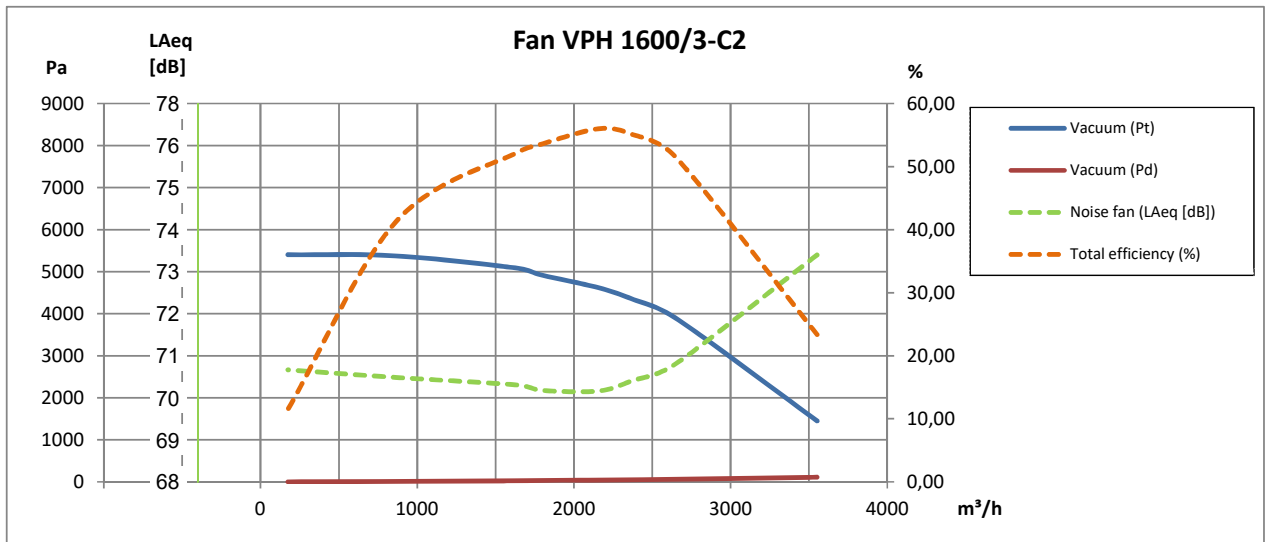


MOUNT FANS

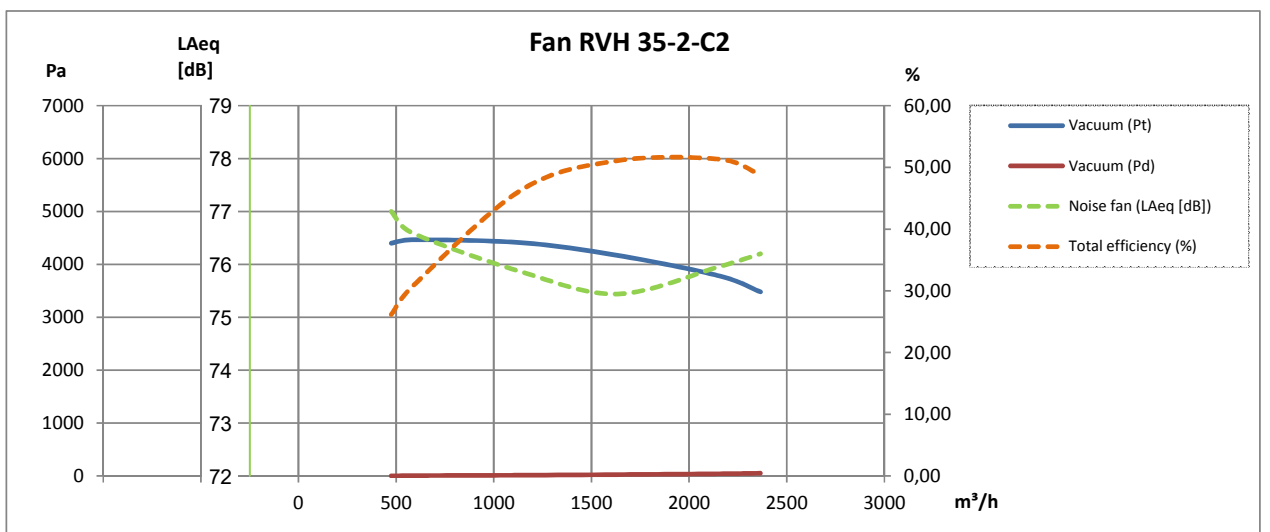
2-pole:



2-pole:



2-pole:



MOUNT FANS

2-pole:

