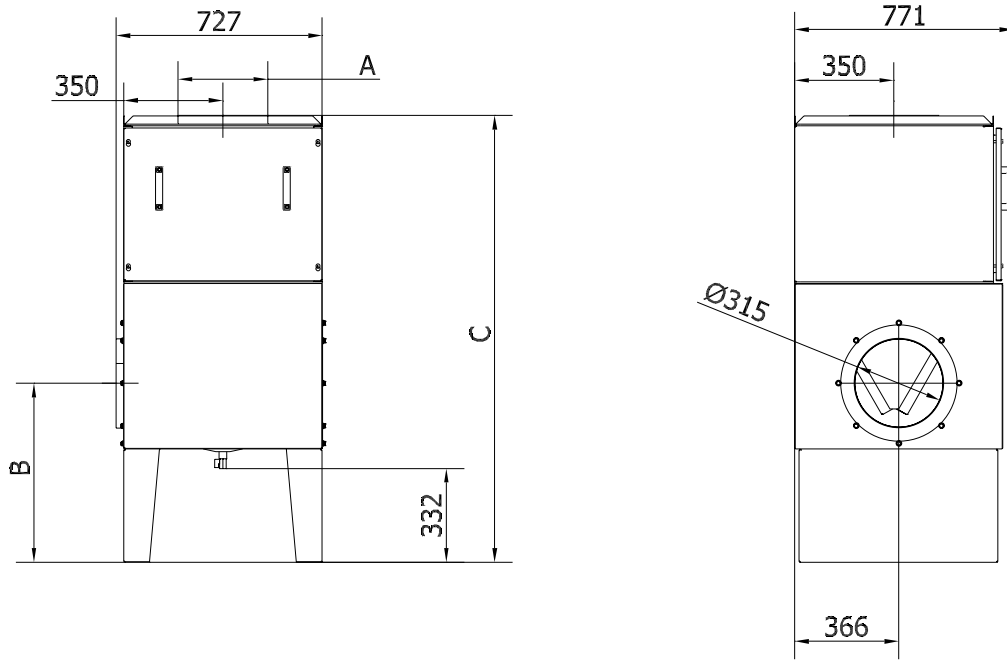
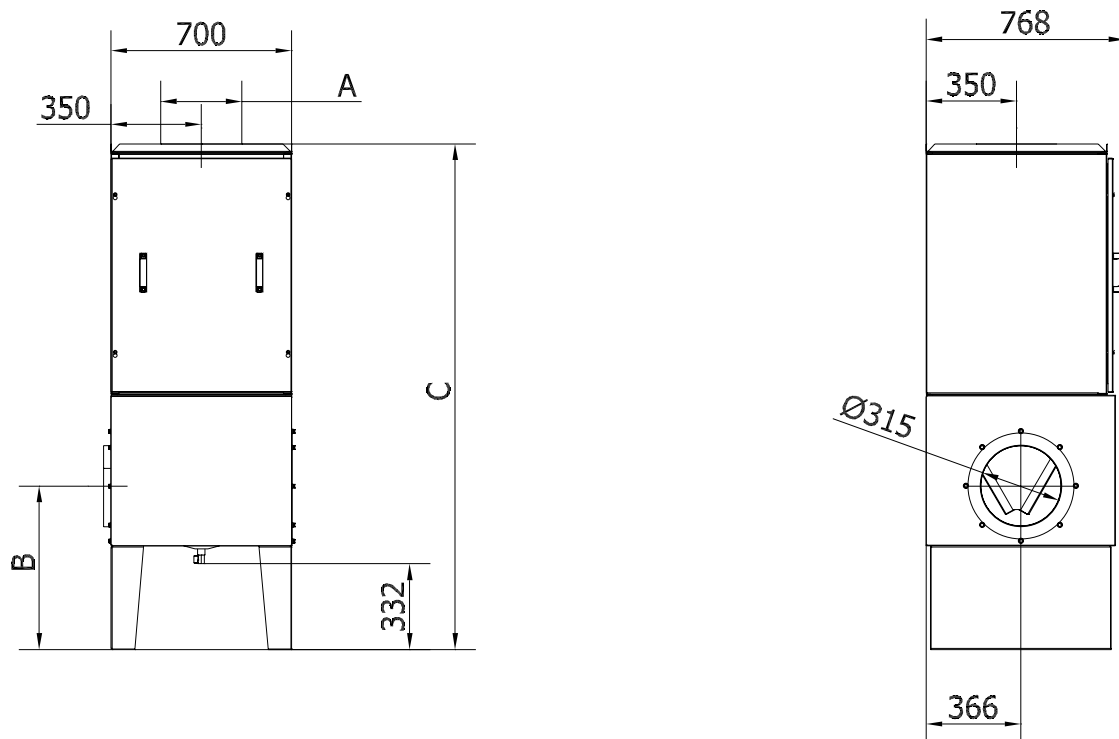


## Oil mist separator type OUK 4000M7:



Type	Order no. Without differential pressure manometer	Order no. With differential pressure manometer	A	B	C
OUK 4000M7	04 345 000	04 345 010	ø315	632	1577

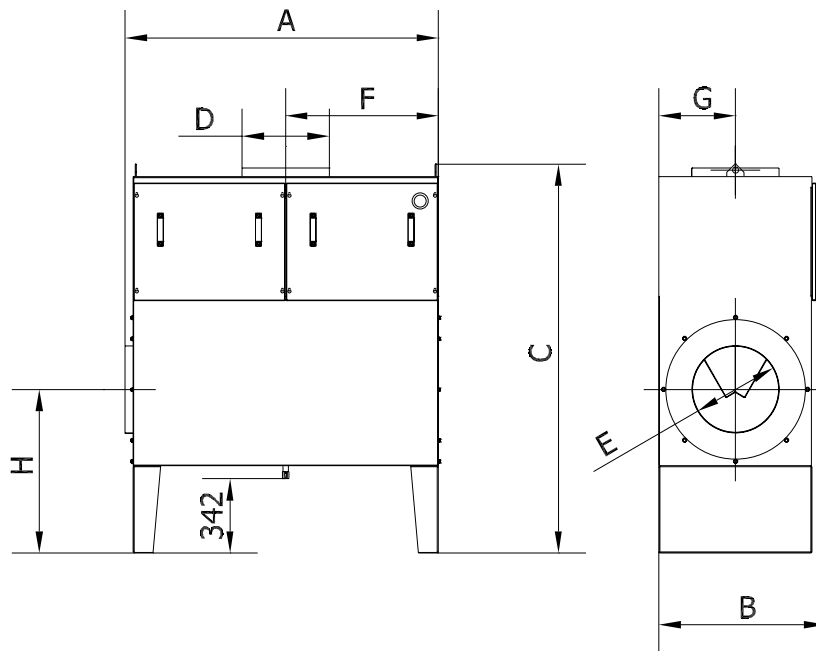
## Oil mist separator type OUK 4000M7 with HEPA/H13-filter:



Type	Order no. Without differential pressure manometer	Order no. With differential pressure manometer	A	B	C
OUK 4000M7	04 345 800	04 345 810	ø315	632	1958

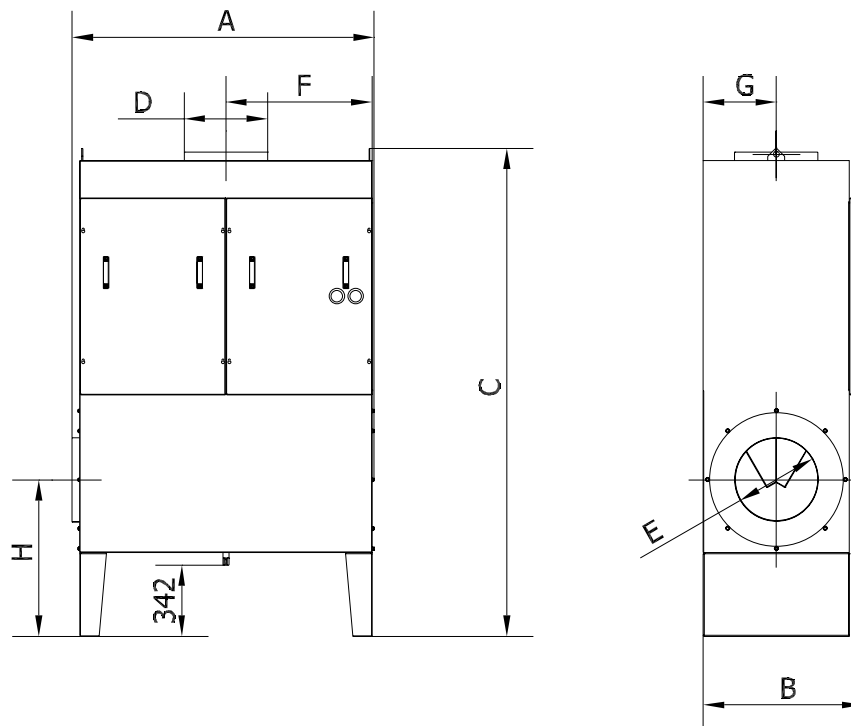
Rev. 03.18 Data is subject to alterations

Oli mist separator type OUK 8000-16000 with differential pressure manometer:



Type	Order no.	A	B	C	D	E	F	G	H
OUK 8000	04 346 050	1445	765	1785	ø400	ø400	700	350	750
OUK 12000	04 347 050	2145	765	1785	ø500	ø500	1050	350	750
OUK 16000	04 349 050	2845	765	1785	ø630	ø630	1400	350	750

Oli mist separator type OUK 8000-16000 with differential pressure manometer and HEPA/H13-filter:



Type	Order no.	A	B	C	D	E	F	G	H
OUK 8000	04 346 850	1445	766	2338	ø400	ø400	700	350	750
OUK 12000	04 347 850	2145	766	2338	ø500	ø500	1050	350	750
OUK 16000	04 349 850	2845	766	2338	ø630	ø630	1400	350	750