



Photo:
Self-closing damper for draining into bulk bag
(04 496 900)

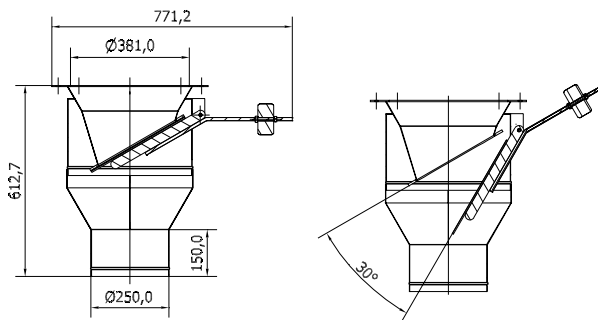
Description VK

Self-closing damper for draining into either plastic bag or bulk bag by adjustable counterweight.

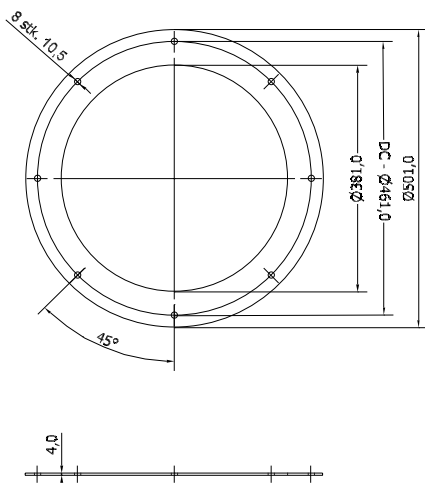
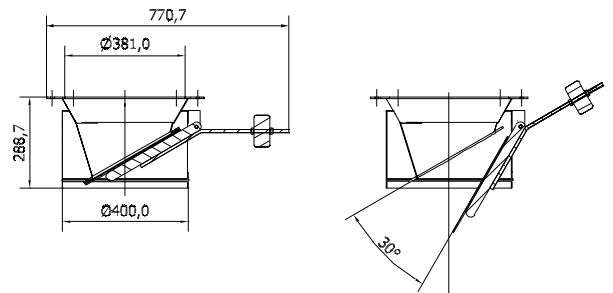
Opbygning

- Draining by hood with damper plate on counter-weighted level arm
- Damper sealing secured by negative pressure in cyclone or filter unit
- Demand is that material weight is sufficient to activate opening of VK when vacuum is dropped over cyclone or filter unit
- Can be mounted beneath either cyclone filter type CJF 13-52, cyclone filter type ACF 39-468 DH as well as cyclone type CY-B 2000-4000, CY 8000-30000 as well as cyclone type LCY
- Built-in height: see below
- Delivered in powder enamelled black steel

Self-closing damper for draining into bulk bag (04 496 900):



Self-closing damper for draining into open container/plastic bag (04 496 950):



Product	Order no.	Draining into
VK	04 496 900	Bulk bag
VK	04 496 950	Open container / Plastic bag

Colour: RAL 7011 (structure)