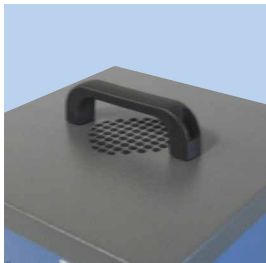




## HS 14

- Portable high vacuum unit
- For mobile welding/grinding tasks of shorter duration, where high vacuum extraction is permitted
- Low own weight
- Easy filter change
- Forced motor cooling by external air
- Completely with cable and plug
- Is delivered with filter cartridge G105 in dust class M



**Filter**  
Cooling intake with filter for extraction.



**Start/stop**  
Start/stop-switch for high vacuum unit.

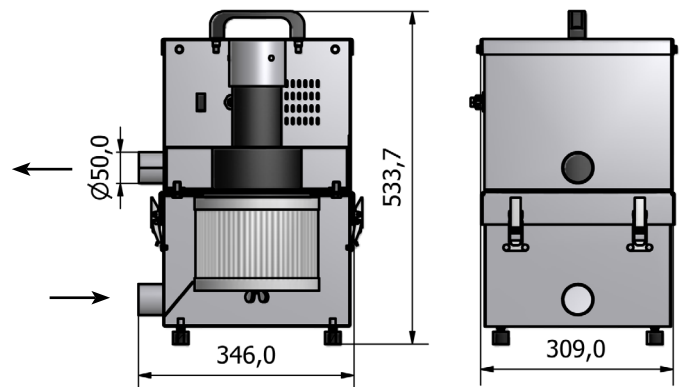


**Locking device**  
4 locking devices for bucket/access to filter.



**Connection piece**  
Inlet  
1 x  $\varnothing 50\text{mm}$

Type:	<b>HS 14</b>
Order no.:	04 967 000
Motor power:	1,200 Watt
Max. air volume:	209 m <sup>3</sup> /h
Max. vacuum:	24,500 Pa
Inlet:	$\varnothing 50\text{mm}$
Weight:	18.7 kg
Height:	534mm
Filter cartridge:	2 m <sup>2</sup>
Max. cooling air temp.:	35°C



### Additional equipment:

- Plastic adaptor (easy mounting between hose and unit)
- Hose
- Hoods
- Exchangeable filter (08 139 050)

Colour: RAL 5007/7011 (structure)