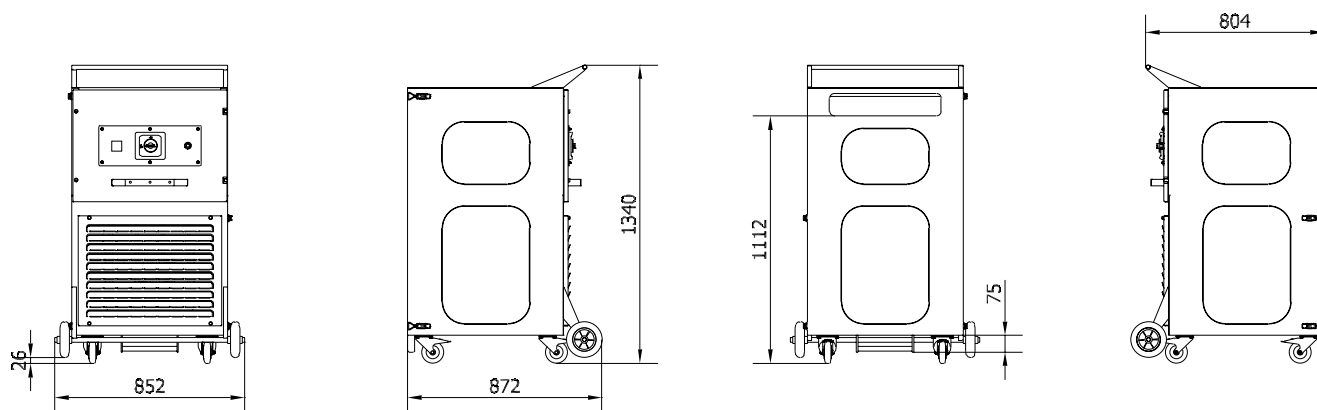
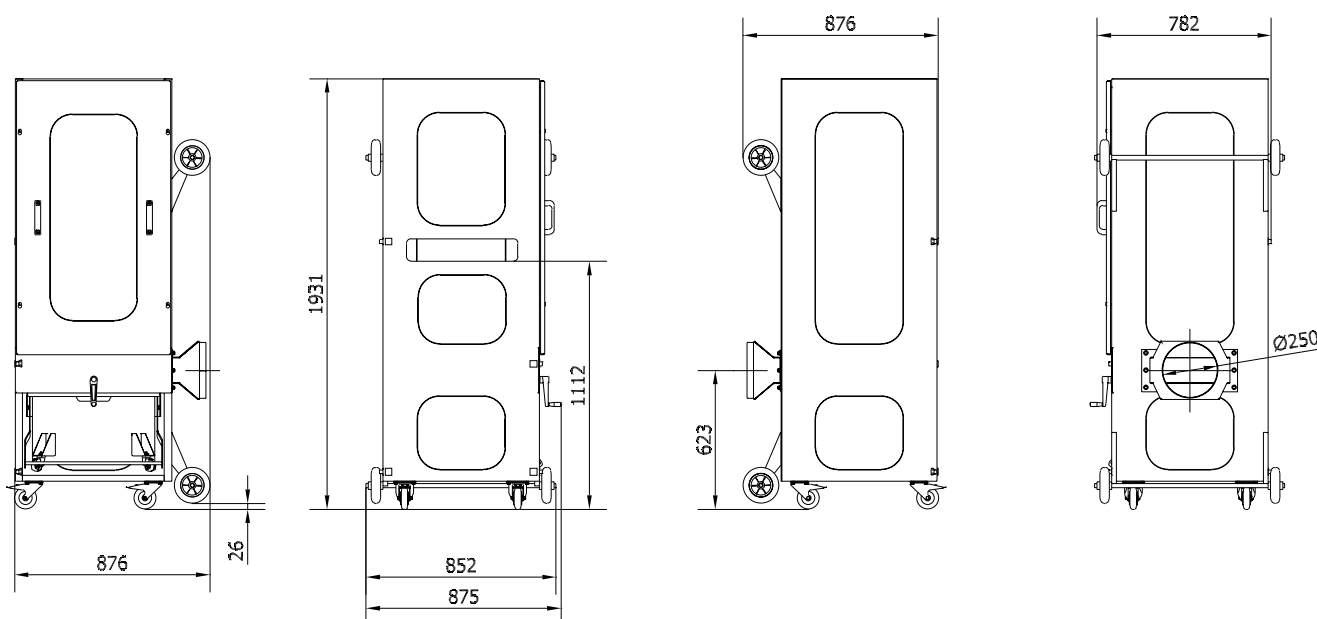


## Ventilatormodul type LFS VF 2500-C2:



Type	Gram no.	Volt [V]	[rpm.]	[kW]	Max. amp.	Start current	Weight [kg]
LFS VF 2500	04 817 000	3x400	2-pole	2,20	4,70	34,3	120

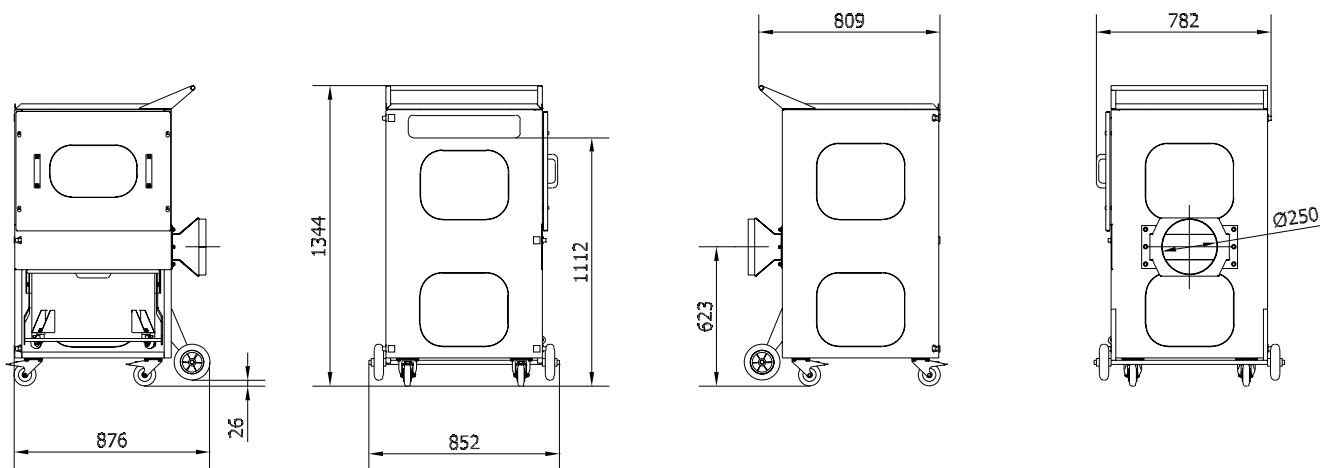
## Filtermodul type LFS 20R:



Type	Gram no.	Filter area G113 [m <sup>2</sup> ]	Max. vacuum [Pa]	Δ P start/stop [Pa]	Dust container (stand.) [L]	Weight [kg]
LFS 20R	04 821 000	20 <sup>1)</sup>	2150	200 - 2000	72	165

<sup>1)</sup> Staubmaster ø600x1000mm, G113, 20m<sup>2</sup> (08 137 600)

## Filtermodul type LFS Clips:



Type	Gram no.	Compact filter	Max. vacuum [Pa]	$\Delta P$ start/stop [Pa]	Dust container (stand.) [L]	Weight [kg]
LFS Clips	04 830 000	F9 <sup>1)</sup>	2150	200 - 2000	72	135

<sup>1)</sup> 592x592x290mm (08 291 500)