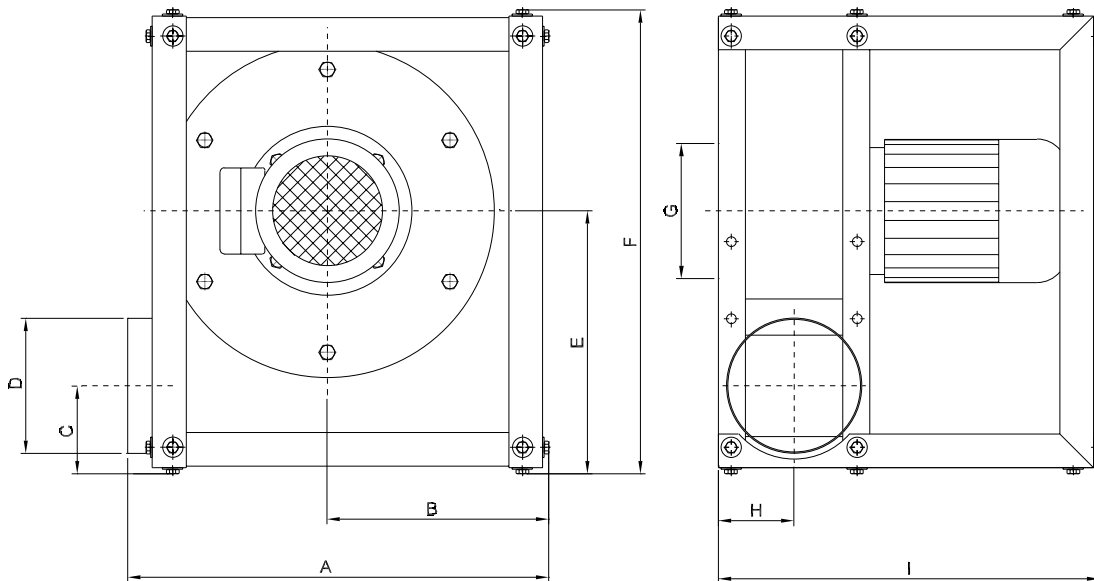




TRV 500 - 2000

- Excellent for mounting tasks
- Can be placed with optional outlet direction and with vertical or horizontal inlet
- Suitable in connection with e.g. welding and soldering tasks and regarding processes, where a fan is demanded in connection with varying workplaces
- Equipped with transport fan wheel for transport of dust
- See performance curve - see fan type VT i group 3



Type	Order no.	Volt [V]	Rpm.	[kW]	Max. amp.	A	B	C	D	E	F	G	H	I	Weight [kg]
TRV 500-02	03 012 000	3x400	2-pole	0.37	0,91	400	201	89	ø100	236	427	ø100	90	398	16
TRV 500-02	03 016 000	1x230	2-pole	0.37	3,00	400	201	89	ø100	236	427	ø100	90	398	16

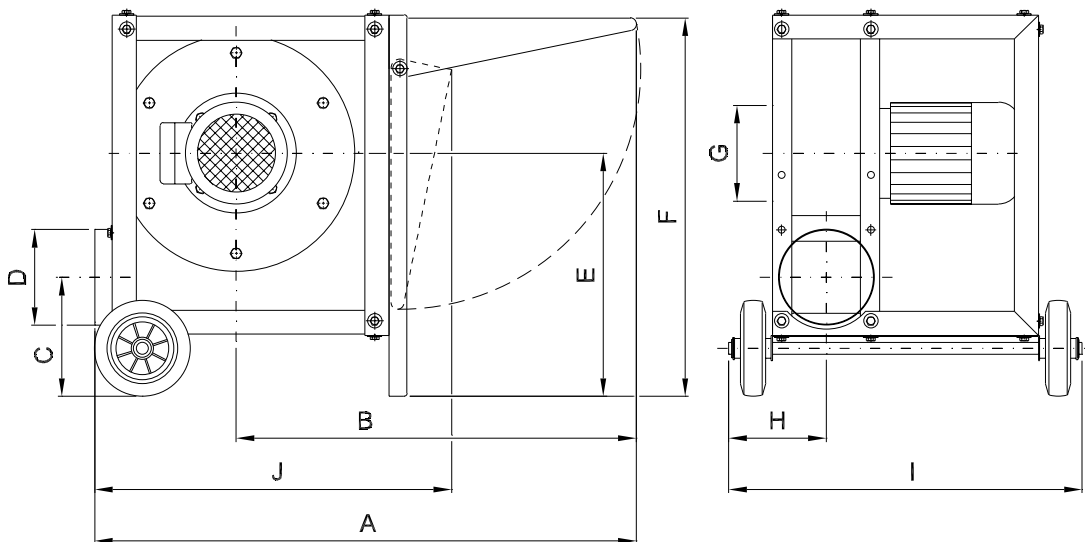
Is available in hot-galvanized or stainless version.

Colour: RAL 5007 (structure)



TRV

- Delivered mounted with fan wheels for tasks in different places
- Especially suitable for tank air and welding smoke extraction and dust removal
- Tilttable handle mounted on side
- ø160mm wheels



Type	Order no.	Volt [V]	[rpm.]	[kW]	Max. amp.	A	B	C	D	E	F	G	H	I	J	Weight [kg]	Performance curve
TRV 1000-O2	03 033 000	3x400	2-pole	0.75	1.90	904	668	199	ø160	406	632	ø125	163	590	596	23	VT gr. 3
TRV 2000-O2	03 053 000	3x400	2-pole	1.10	2.70	904	668	199	ø160	406	632	ø160	163	590	596	24	VT gr. 3
TRV 1000-O2	03 037 000	1x230	2-pole	0.75	3.00	904	668	199	ø160	406	632	ø125	163	590	596	23	VT gr. 3
TRV 2000-O2	03 140 000	1x230	2-pole	1.10	5.00	904	668	199	ø160	406	632	ø160	163	590	596	24	VT gr. 3

Motor data ≥ 0.75kW, 3x400V, according to IE3-motors.

Is available in hot-galvanized or stainless version.

Colour: RAL 5007 (structure)

Rev. 10.19 Data is subject to alterations