



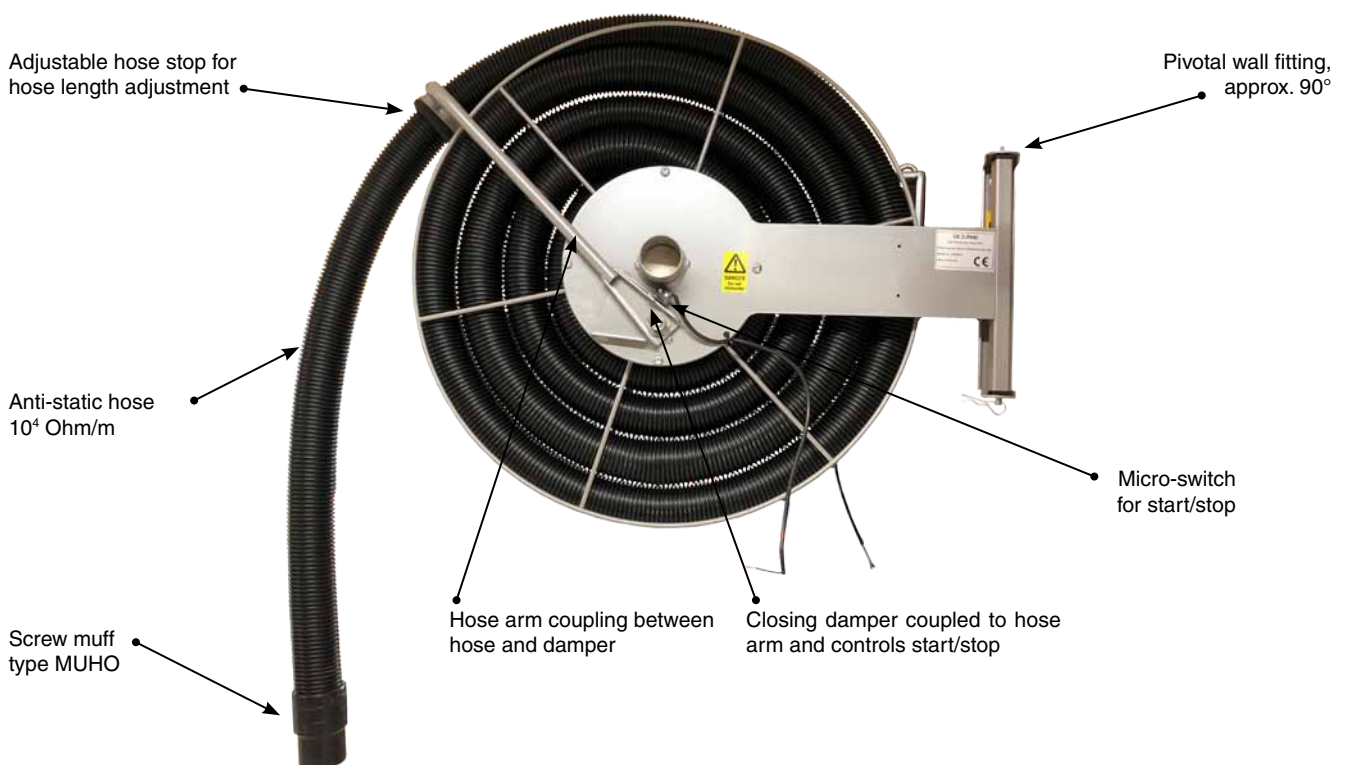
User-friendly and ergonomic solution for the storage of high-vacuum hose for cleaning or hand tool extraction.

Description

- Spring-driven reeling
- Pivotal wall fitting, approx. 90°
- Standard wall model
- Adjustable hose stop for hose arm activation
- Integrated closing damper that opens at hose pull
- Micro-switch for start/stop activated by hose arm
- Channel connection by hose connection ø50mm
- Anti-static hose: 10⁴ Ohm/m
- Incl. anti-static screw muff type MUHO-050-050: 10⁴ Ohm
- Surface: RAL 9022

Easy mounting, connection and application

Hose hangs weight-relieved and does not come into contact with the floor. Hereby the total weight to be lifted is reduced and the hose life is extended as it does not wear to the floor.



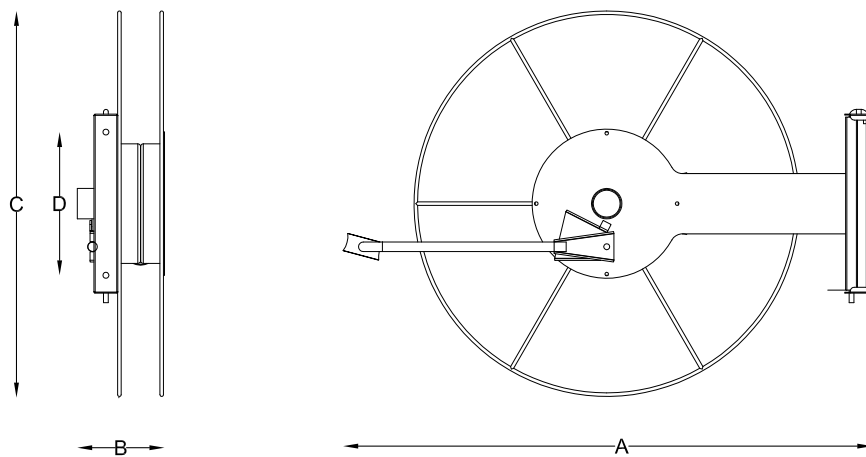
Further option

- Ceiling fitting for ceiling suspension
- 1-3m extension arm with integrated pipe for extraction

See also brochure page for equipment for reel type HOSR!



Photo: Screw muff type MUHO



Type	Item no.	A [mm]	B [mm]	C [mm]	D [mm]	Hose length [m]	Weight [kg]
HOSR	08 266 000	800	240	650	50	7.30	14
HOSR	08 266 100	940	300	650	50	10.0	20