



Used for oil mist pre-separation from processing machines, where cooling lubricants are used. Is mounted directly at the individual machine, so that oil mists do not reach the central piping system.

After oil mist pre-separation by OUF the air should be filtered by a multistage oil mist filter, e.g. of the type OUK, so oil mist emission demands are met.

Air volume: Up to 2,000m³/h
 Vacuum: Up to 2,000Pa
 Filtration efficiency: Normally up to 85%

Description

- Process air max. +35°C is led in through tangential inlet connection, which contributes to cyclone effect
- Air is filtered through washable pore filter
- Oil is collected in the bottom of the OUF, from where it can either be led back to the machine or drained off through mounted drain cock. Oil pan suspended in bayonet fitting.
- Filtered air is led out through the outlet connection in top to be connected to piping.

Easy connection and operation

OUF is easily mounted on the wall with 2 bolts through top fitting (4 possible positions) and connected to the piping on inlet and outlet connections. Separated oil can either be led back to the machine or tapped by drain cock in the oil pan. Filter is replaced (or washed) in suitable intervals. Filter is dismantled (without the use of tools) by loosening oil pan suspended in bayonet fitting.

Advantages by removing oil mist directly at the machine

- The hazardous effects on breathing and skin are reduced
- You minimize the risk of slippery floors (drip from piping) and consequential accidents
- Fire risk as well as the risk of oil mist aerosols damaging electronics in the machines are minimized
- Cleaning and maintenance costs are reduced, since oil deposits in piping and on surfaces are avoided
- Energy consumption is reduced (reduced air speed in ventilation channels, when there are no heavy oil particles that must be kept airborne, no oil mist deposits on light sources)

Construction/surface

Filter cabinet is made in 1.5mm black steel plate
 Surface powder enamelled RAL 5007/7011 structure

Oil mist filter OUF is available in the sizes as stated in the form below.

Please, contact us for assistance in selecting the optimal unit taking into consideration air volume, type and volume of cooling lubricant, operation times etc.

Type	Order no.	Connection Inlet/outlet [mm]	ΔP start/end ¹⁾ [Pa]	Max. capacity [m ³ /h]
OUF 80 ²⁾	04 321 000	ø80	500/800	300
OUF 100 ³⁾	04 322 000	ø100	500/800	500
OUF 125 ⁴⁾	04 323 000	ø125	500/800	800
OUF 160 ⁵⁾	04 324 000	ø160	500/800	1200
OUF 200 ⁶⁾	04 325 000	ø200	500/800	2000

¹⁾ Pressure drop stated over filter

²⁾ Pore filter 35 for OUF 80, 370x160mm (08 135 500)

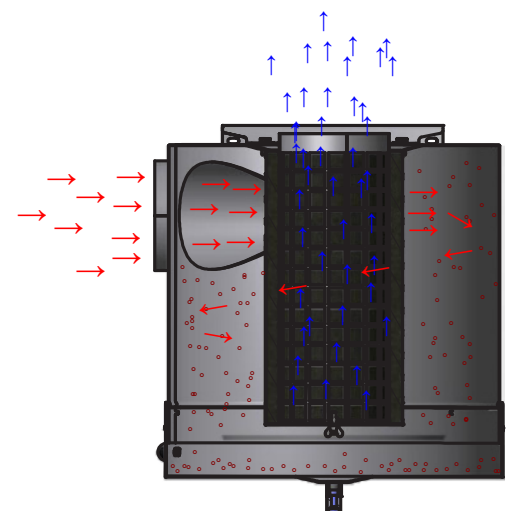
³⁾ Pore filter 35 for OUF 100, 450x210mm (08 135 600)

⁴⁾ Pore filter 35 for OUF 125, 491x280mm (08 135 700)

⁵⁾ Pore filter 35 for OUF 160, 620x390mm (08 135 800)

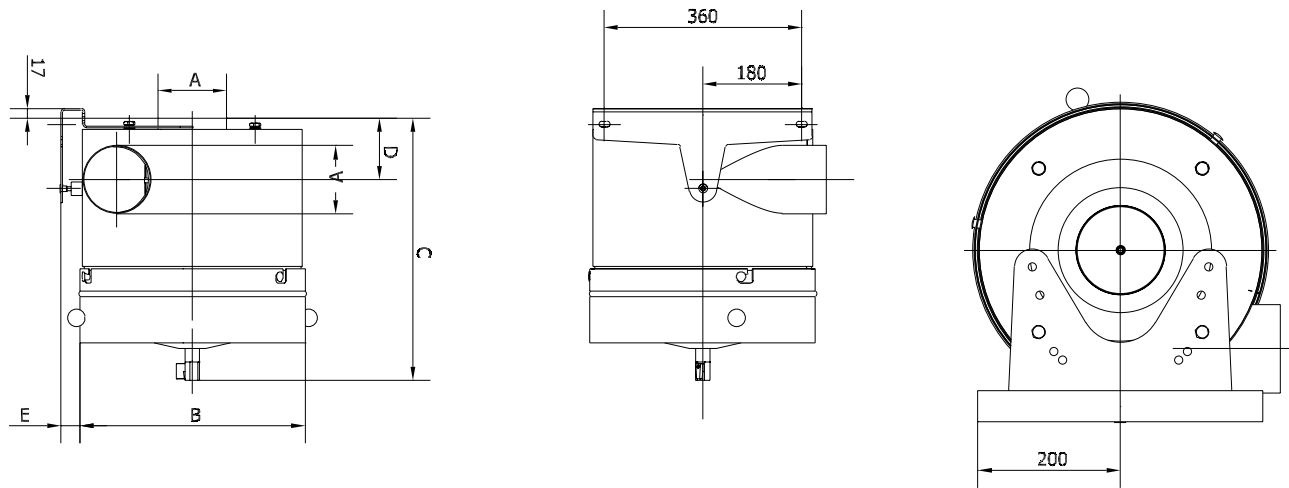
⁶⁾ Pore filter 35 for OUF 200, 755x505mm (08 135 900)

Principle sketch for flow through oil mist filter type OUF:



Data is subject to alterations
Rev. 07.18

Oil mist filter type OUF 80 - 200:



Length wall fitting/distance holes: 400/360mm

Type	Order no.	A	B	C	D	E
OUF 80	04 321 000	ø80	ø265	354	90	35
OUF 100	04 322 000	ø100	ø315	403	98	34
OUF 125	04 323 000	ø125	ø412	478	113	34
OUF 160	04 324 000	ø160	ø514	583	128	33
OUF 200	04 325 000	ø200	ø611	689	147	35