



High vacuum unit is excellent for cleaning and extraction of dust and chips from e.g. handheld electric tools, compressed-air tools or small stationary machines.

HS: Air volumen: Max. 304m³/h
 Vacuum: Max. 24,000Pa
 Filter area: 3m²

Description

- Polluted air is led into the unit through inlet in pre-separator chamber. Hereby pre-separation for the filter media is ensured, which contributes to a load reduction on the filter media itself.
- Air is filtered through vertical-placed filter cartridge.
- Suction unit has a side channel blower (intended for continuous operation).
- Motor is equipped with motor protection switch.
- Equipped with manual Roto-cleaned cartridge filter for shorter operating times (normally 4,000-6,000 hours life).
- The cleaned air is blown out by 2" vertical-placed connection.
- Normal operation length between cleanings of filter cartridge (by front handle): 1-2 hours

A simple solution for smaller filtration tasks

Used for cleaning tasks or process extraction from hand tools among other things. Where dust and chips are not wet or statically charged, the standard filter type G102 can be used. Otherwise the filter must be changed to G113.

Outlet on HS 3000 must be connected to outlet piping or silencer for recirculation to avoid that particles can enter the turbine and damage it.



Motor protection switch
 Motor protection switch is mounted on the unit at delivery.



Easy emptying of dust container
 Suspension by Quick-lock-adjustable dust container system.



Side channel blower
 Mounted on vibration absorbers and connected by flex-connections to filter cabinet.

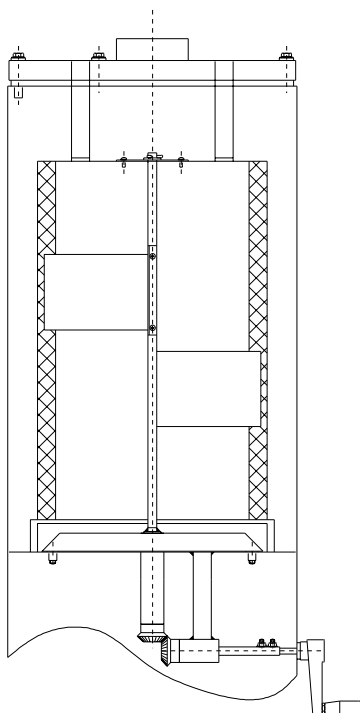


Connection
 ø50mm inlet connection for hose or duct type H (high pressure components).

For longer operating times, see brochure page for high-vacuum unit type HFU.

Filters: Filter cartridge type Staubmaster ø320mm. Length: 500mm

Filter control: Filter cartridge is cleaned manually after stopped use by activating Gram Roto-cleaning, which operates by rotating plastic strips cleaning the filter on the inside - also between the pleatings. Is activated by turning outside handle 5 -10 times, when side channel blower has stopped.



Filter material:

Standard	Material	Used for
G100	Polyester flake	Dry not-static loaded or hygroscopic dust particles > 0.2µm

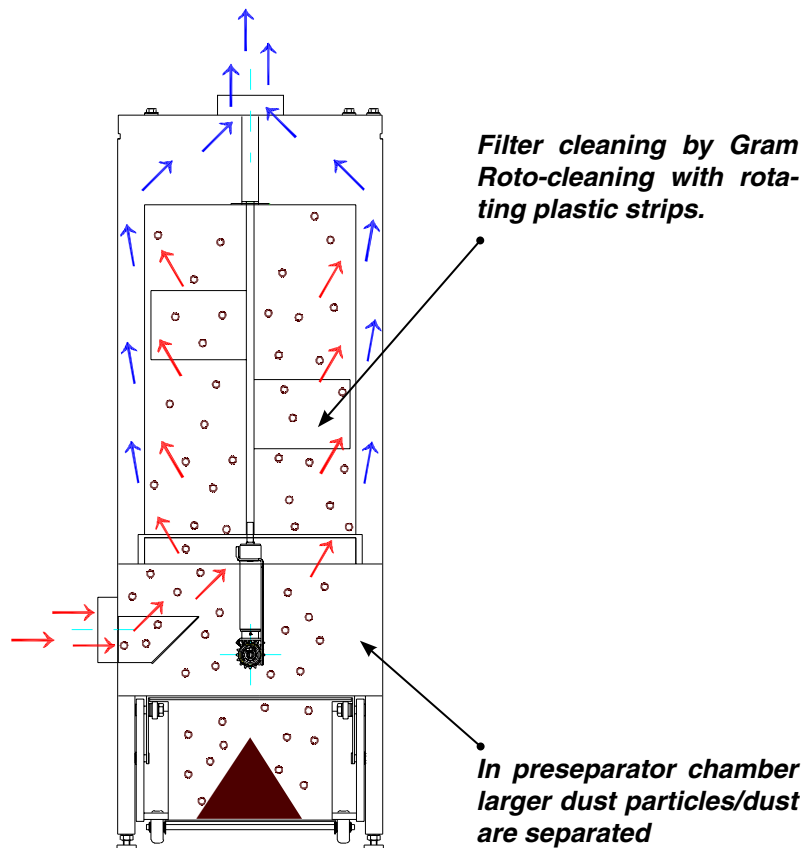
Alternative

G113	Polyester flake with PFPT-coating, antistatic	Static-loaded or hygroscopic particles
------	---	--

The filters meet demands for extraction degree for dust class M according to DIN EN 60335-2-69 Appendix AA (extraction degree > 99.9%).



Principle sketch for flow through filter unit on high vacuum unit type HS:



Construction/surface

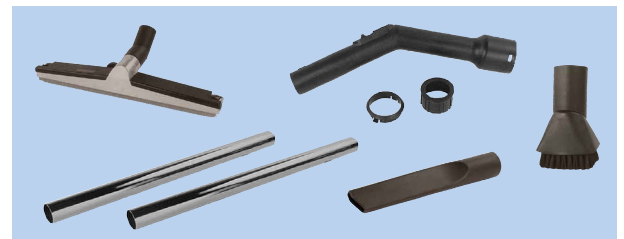
Filter unit type HS is constructed according to:

- Machine Directive 2006/42/EF
- Low Voltage Directive 2014/35/EU
- Harmonized standards: ISO 12499, ISO 14694, EN ISO 13857

Filter cabinet is made in 1.5 and 2mm black steel plate
Surface powder enamelled RAL 5007/7011 structure

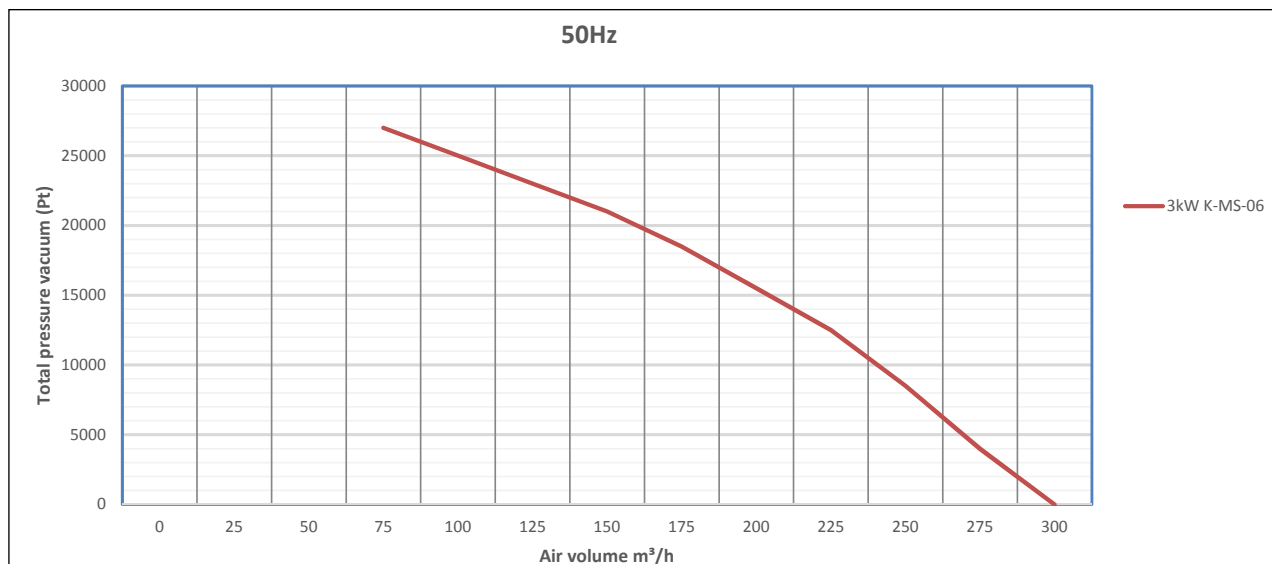
Desuden kan leveres:

- Various equipment for cleaning like e.g. floor, crevice and brush nozzles (product group 6)
- Various hoses (product group 8)
- Various duct components for high pressure (product group 8)

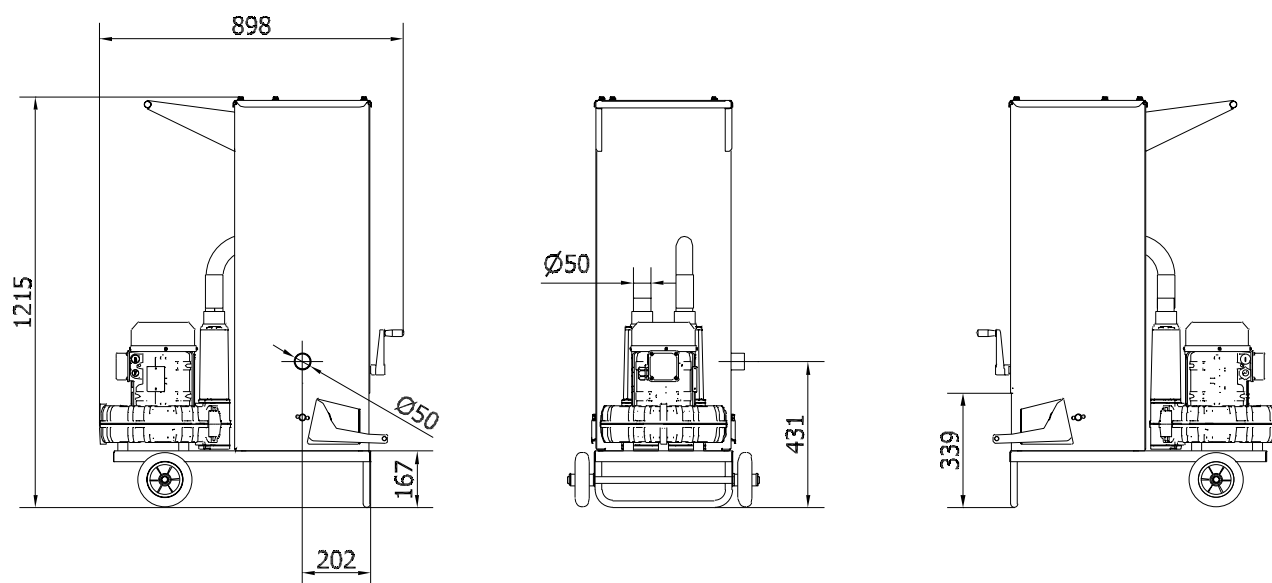


Please, contact us for assistance in selecting the optimal unit taking into consideration air volume, dust type and volume, operating times etc.

Type	Order no.	Amp. consumption	Motor [kW]	Weight [kg]	Filter area [m ²]	Max. suction [Pa]	Max. volumen [m ³ /h]	Number dust container [L]	Max. Δ P [Pa]	Connection
HS 3000	04 721 200	7,2	3,0	70	3	24000	310	1x15	2500	ø50



High vacuum unit type HS 3000:



Rev. 12.16 Data is subject to alterations